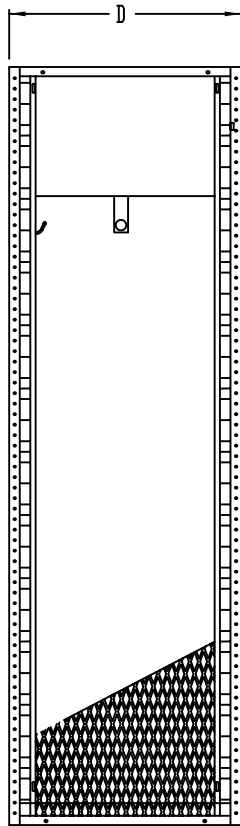
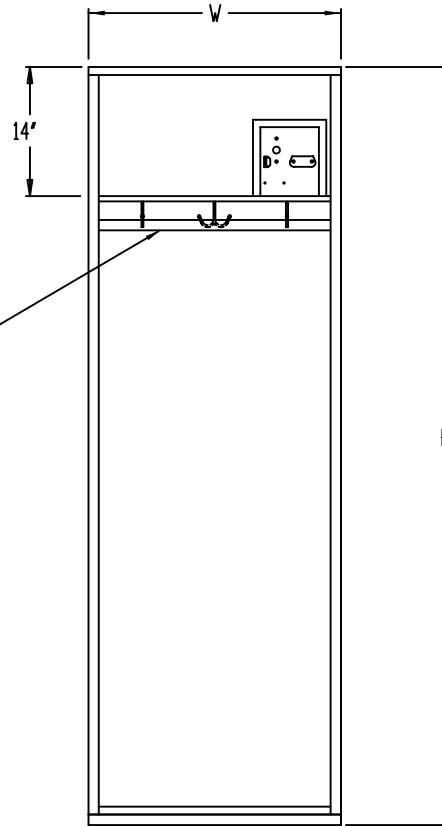


SUPERIOR "ALL-STAR MVP" WELDED ATHLETIC LOCKER (PRODUCT No. ASSN- _ _ _ _)

ELEVATION ' ' /



SIDE VIEW



FRONT VIEW

OPTIONAL
COAT ROD
(REPLACES DOUBLE
PRONG CEILING HOOK)

LOCKER DETAILS :

- EXTERIOR COLOR =
- INTERIOR COLOR = SAME AS EXTERIOR
- TOP = FLAT
- SECURITY BOX DOOR = PAD LOCK OR BUILT-IN
- DOOR VENTILATION = PLAIN
- SIDE VENTILATION = 1/2" 13GA. FLT/EXP/MTL
- BASE =
- COAT ROD = 1" STAINLESS STEEL (OPTIONAL)
- HINGE = FULL LENGTH, STAKED PLANO
HINGE WELDED TO DOOR &
RIVETED TO THE FRAME

CONTRACTOR NOTE

ALL CONCRETE BASES SHOULD BE LEVEL AND TROWELED SMOOTH TO ASSURE PROPER INSTALLATION OF THE LOCKERS. ALL FLOORING MATERIAL ATTACHED TO THE FACE OF THE BASE SHOULD BE RECESSED AT LEAST 1/4" FROM THE TOP EDGE OF THE BASE. LOCKERS MUST BE ANCHORED TO WALL.

GAUGES

- WALLET SECURITY DOOR = 14 GA., C.R.S.
- TOP = 16 GA., C.R.S.
- SHELF = 16 GA., GALVANNEAL
- SIDES = 1/2" 13 GA. FLT/EXP/MTL, H.P.D.
- BACKS = 18 GA., C.R.S.

SUPERIOR

THIS DRAWING AND THE INFORMATION ON IT IS THE CONFIDENTIAL PROPERTY OF LIST INDUSTRIES, INC. AND SHALL NOT BE COPIED OR DISCLOSED TO OTHERS WITHOUT WRITTEN PERMISSION. ONLY LIST INDUSTRIES RESERVES THE RIGHT TO ALTER ANY DESIGN. ANY UNAUTHORIZED MODIFICATIONS RELEASES LIST INDUSTRIES FROM ALL LIABILITIES.

TOLERANCES UNLESS SPECIFIED:
FRACTIONS: ±1/32 DECIMALS: ±.010 DEGREES: ±1°

Customer: CUSTOMER

Customer Order Number: PO#

Description:

JOB NAME
JOB LOCATION

Drawn By:
DRAFTER

Checked By:

Date:

DATE

Scale:
NONE

Acad Number: PAGE NUMBER

Sheet # Of #

Revision:

Drawing Number:

FOLDER NUMBER