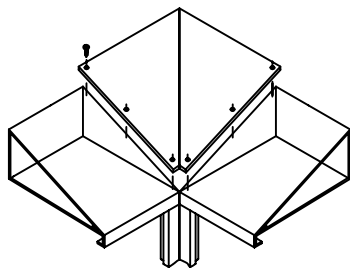
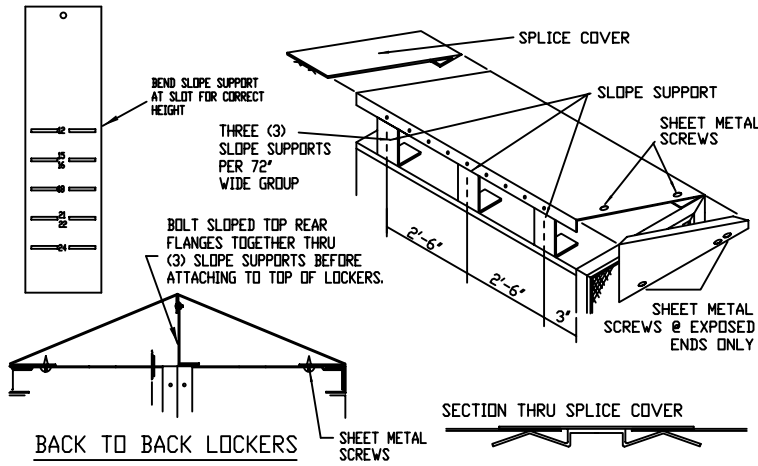


SLOPE TOP CORNER



USE FILLER PLATE AS TEMPLATE, DRILL 1/8" DIAMETER HOLES INTO LOCKER UNIT AS SHOWN.
HARDWARE: (6) SHEET METAL SCREWS

SLOPED TOPS

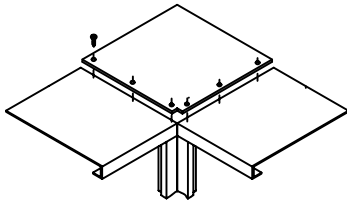


1. LEVEL AND BOLT LOCKERS TOGETHER BEFORE ATTEMPTING TO INSTALL SLOPED TOPS.
2. BOLT REAR FLANGE OF TOP TO (3) SLOPE SUPPORTS AS SHOWN (FOR BACK-TO-BACK LOCKERS BOLT THE REAR FLANGE OF BOTH TOPS TO SLOPE SUPPORTS).
3. ATTACH END CLOSURE FOR CONSEALED CONDITION ONLY USING (2) TEK SCREWS THRU SLOPE TOP.
4. SLIP SPLICE COVER ONTO THE ENDS TO BE JOINED. THEN PUT WHOLE ASSEMBLY ONTO THE TOP OF THE LOCKERS & ALIGN.
5. DO THE SAME WITH THE NEXT SECTION OF SLOPE TOP AND SLIP INTO THE SPLICE COVER OF THE SECTION ALREADY FASTENED.
6. CUT LAST SECTION TO REQUIRED LENGTH AND SLIP CUT EDGE INTO THE LAST ATTACHED SPLICE COVER. THEN ATTACH SLOPE TOP TO END CLOSURE USING TEK SCREWS.
7. FASTEN THE FRONT FLANGE THROUGH THE HOLE IN THE FLAT TOP. (3) TEK SCREWS PER SLOPE TOP.
8. WHEN ALL FRONT FLANGES ARE FASTENED, ALIGN EXPOSED SLOPE END CLOSURES. FIRST FASTEN TO THE LOCKER.

NOTE: DO NOT ATTACH FRONT FLANGES OF SLOPE TOPS TO LOCKER UNTIL ALL SLOPE TOPS ARE ALIGNED FOR AN ENTIRE RUN. ALL BOXED ENDS MUST BE ATTACHED PRIOR TO CONTINUOUS SLOPE TOPS.

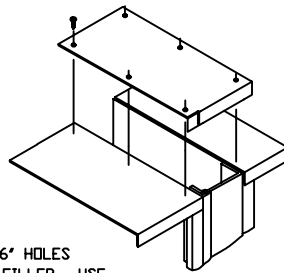
FLAT TOP CORNER

USE FILLER PLATE AS TEMPLATE AND DRILL 1/8" DIAMETER HOLES INTO LOCKER UNIT AS SHOWN.



HARDWARE: PAN HEAD SHEET METAL SCREWS.

TOP FILLER

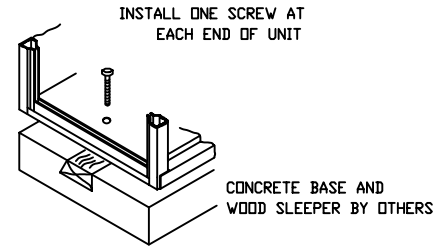


DRILL (6) 3/16" HOLES AS SHOWN IN FILLER, USE FILLER AS TEMPLATE AND DRILL (6) 1/8" HOLES IN LOCKER TOPS. ATTACH WITH SHEET METAL SCREWS.

NOTCH FRONT END OF FILLER AS REQUIRED TO PROVIDE CLEARANCE OF SLIP FILLER.

HARDWARE: PAN HEAD SHEET METAL SCREWS

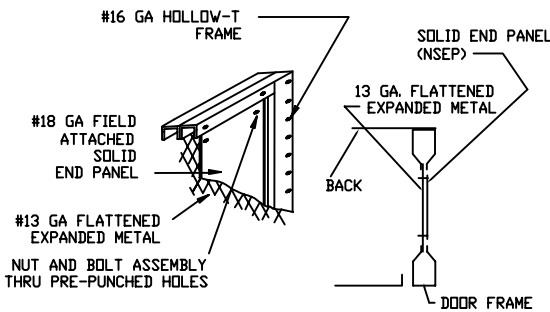
UNIT TO BASE



IMPORTANT: LOCKERS MUST BE LEVEL. USE CEDAR SHIMS IF NECESSARY TO PROVIDE FOR IRREGULARITIES IN BASE.

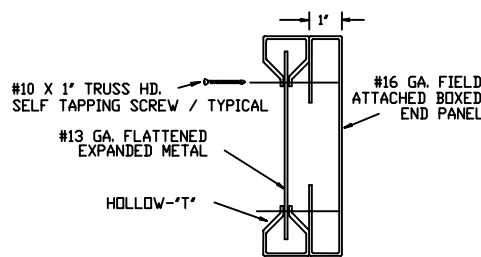
HARDWARE: (2) 1/4" X 4" HEX HEAD LAG SCREWS (SUPPLIED BY INSTALLER)

SOLID END PANEL



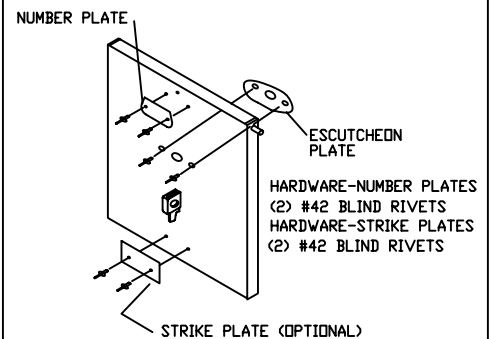
SOLID END PANEL FOR DEAD CORNERS AND FILLER CONDITIONS ONLY
NOTE: TO BE USED ONLY @ BLIND CONDITIONS

BOXED END PANEL



NOTE: TO BE USED ONLY @ EXPOSED ENDS

NUMBER AND STRIKE PLATES



HARDWARE-NUMBER PLATES (2) #42 BLIND RIVETS
HARDWARE-STRIKE PLATES (2) #42 BLIND RIVETS

RECOMMENDED TOOLS

C" CLAMPS, HAMMER DRILL, VICE GRIPS
SABER SAW, 3/8" ELECTRIC DRILL
3/8" NUT DRIVER, ASSORTED CEDAR SHIMS,
ELECTRIC SCREW GUN W/ADJUSTABLE TORQUE
WONDER BAR, #2 & #3 PHILLIPS BITS
RIVET GUN & 5/16, 3/8 AND 7/16" HEX DRIVES



401 Jim Moran Blvd., PO Box 9601, Deerfield Beach, FL 33442
Tel (954) 429-9155 Fax (954) 428-3843

REVISIONS

NO.	DATE	BY
1.	08-20-04	JMH
2.	-	-
3.	-	-
4.	-	-

INSTALLATION DETAILS FOR WELDED LOCKERS

DRWN BY	DATE	SCALE
JMH	01-19-04	NONE
CHK'D	DATE	DRWG NO.
-	-	SB-2301-1
APP'D	DATE	

PEDESTAL TO BENCH

LEGS TO UNIT

USING PEDESTAL AS A TEMPLATE LOCATE CENTERS, DRILL 7/32" HOLES, AND ATTACH WITH SCREWS PROVIDED. FLOOR ANCHORS PROVIDED BY INSTALLER, RECOMMENDED HILTI ALUMINUM HIT ANCHORS CAT. NO. 5400192 OR 1/4" X 2" TAP-CON.

HARDWARE-(PER PEDESTAL)

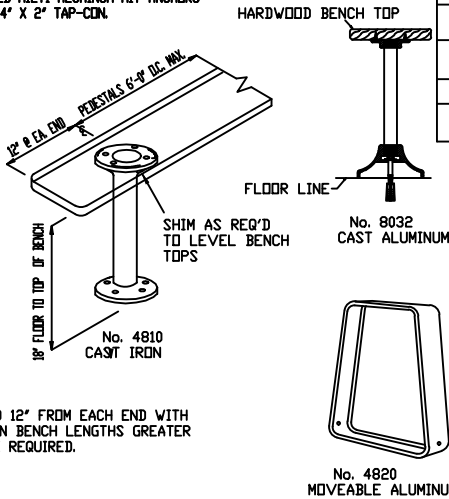
#4800 STD. STEEL TUBING (NOT SHOWN)
(4) #14 x 1" HEX WASHER HEAD SHEET METAL SCREWS

#4810 HEAVY DUTY CAST IRON
(3) #14 x 1" HEX WASHER HEAD SHEET METAL SCREWS

#4820 FORMED ALUMINUM
(4) #14 x 1" HEX WASHER HEAD SHEET METAL SCREWS

#4850 FORMED STEEL
(4) #14 x 1" HEX WASHER HEAD SHEET METAL SCREWS

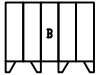
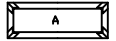
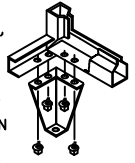
PEDESTAL ARRANGEMENT
ALL PEDESTALS TO BE LOCATED 12" FROM EACH END WITH A MAXIMUM OF 6'-0" SPACING. ON BENCH LENGTHS GREATER THAN 8'-0", (3) PEDESTALS ARE REQUIRED.



INSTRUCTIONS:

FOR UNITS UP TO 36-1/2" WIDE (A), 4 LEGS REQUIRED.
FOR UNITS OVER 36-1/2" (B), 8 LEGS REQUIRED.

FOR BOTH A AND B UNITS. POSITION LEGS AS SHOWN AT RIGHT. USING THE 4 HOLES IN LEG AS A TEMPLATE, MARK AND CENTER HOLE LOCATIONS ON THE LOCKER FRAME. THEN DRILL 7/32" DIAMETER HOLES IN FRAME-(16) TYPE A. (32) TYPE B.



HARDWARE (PER LEG)

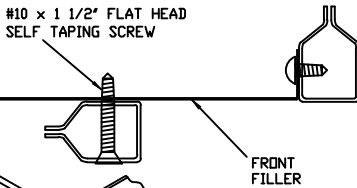
NOTE:
DO NOT OVER-TIGHTEN

(4) #14 X 1/2" HEX WASHER HEAD SHEET METAL SCREWS (SMS-100)

CORNER FILLER

SLIP FILLER

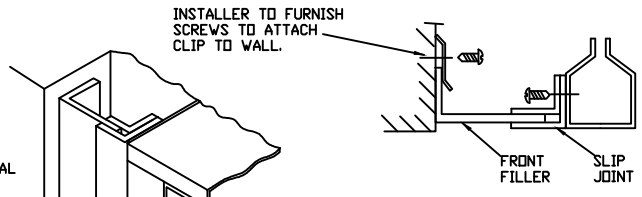
ATTACH FILLER TO FRAME WITH TEK SCREWS ON ONE FOOT CENTERS. SET UNIT IN PLACE AND SLIDE TOWARD LOCKER AS SHOWN. ATTACH FILLER TO LOCKER THROUGH THE FRAME ON ONE FOOT CENTERS USING #10 x 1 1/2" FLAT HEAD SELF TAPING SCREWS.



HARDWARE:
SHEET METAL SCREWS
#10 FLAT HEAD SCREWS

CUT FRONT FILLER TO PROPER WIDTH AS SHOWN ABOVE. ATTACH TO WALL SO THAT THE FACE IS FLUSH WITH ATTACH SLIP JOINT TO UNIT WITH TEK SCREWS ON ONE SET UNIT IN PLACE AND SLIDE TOWARD FRONT FILLER UNTIL INSERTED IN SLIP JOINT AS SHOWN.

IF FILLER IS BETWEEN UNITS, ATTACH FRONT FILLER TO SIDE OF LOCKER FRAME ON ONE FOOT CENTERS.



HARDWARE:
SHEET METAL SCREWS

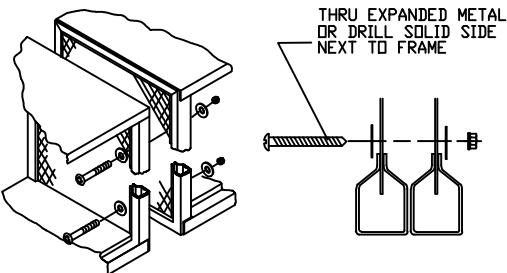
INSTALLER TO FURNISH SCREWS TO ATTACH CLIP TO WALL.

HARDWARE:
SHEET METAL SCREWS
#10 FLAT HEAD SCREWS

UNITS BACK TO BACK

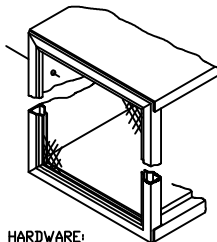
UNITS END TO END

UNITS TO WALL

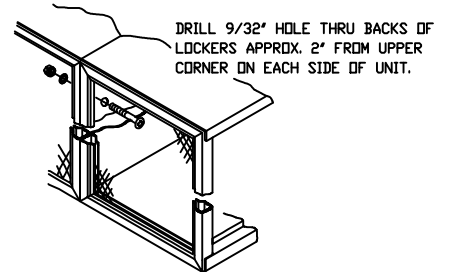


HARDWARE:
(2) #10-24 X 2-1/4" PHILLIPS PAN HEAD MACHINE SCREWS (MS100)
(2) #10-24 KEPS HEX NUTS (N202)
(4) 3/16" x 1-1/4" FENDER WASHERS (W107)
NOTE: AFTER TIGHTENING BREAK OFF AT THE NUT LEFT OVER SCEW LENGTH BY TWISTING WITH PLIERS.

DRILL 9/32" DIA. HOLE THRU BACK SHEET OF LOCKER AND INTO WALL APPROX. 2" FROM UPPER CORNER ON EACH SIDE OF UNIT.



HARDWARE:
(2) ANCHORS BY INSTALLER-RECOMMENDED HILTI ALUMINUM HIT ANCHORS CAT. LND. 5400192
1/4" X 2" TAP-CON OR QUICK.



HARDWARE-SOLID BACK:
(2) 1/4" 20 X 3/4" PHILLIPS PAN HEAD MACHINE SCREWS
(2) 1/4" EXTERNAL TOOTH LOCK WASHERS
(2) 1/4"-20 HEX NUTS

HARDWARE-VENTILATED BACK:
(2) 1/4"-20 X 3/4" PHILLIPS PAN HEAD MACHINE SCREW
(4) 5/16" I.D. X 1-1/2" O.D. FENDER WASHER
(2) 1/4" EXTERNAL TOOTH LOCK WASHERS
(2) 1/4" X 20 HEX NUTS

IN THE INTEREST OF SAFETY, ALL WELDED LOCKERS MUST BE SECURELY ANCHORED TO THE FLOOR AND/OR WALL.



401 Jim Moran Blvd., PO Box 9601, Deerfield Beach, FL 33442
Tel (954) 429-9155 Fax (954) 428-3843

REVISIONS

NO.	DATE	BY
1.	07/18/00	TEB
2.	11/19/02	RDV
3.	11-11-03	JMH
4.	08-24-07	RDV

INSTALLATION DETAILS FOR WELDED LOCKERS

DRWN BY	DATE	SCALE
TEB	02/19/01	NONE
CHK'D	DATE	DRWG NO.
MDS	02/19/01	SB-2301-2
APP'D	DATE	