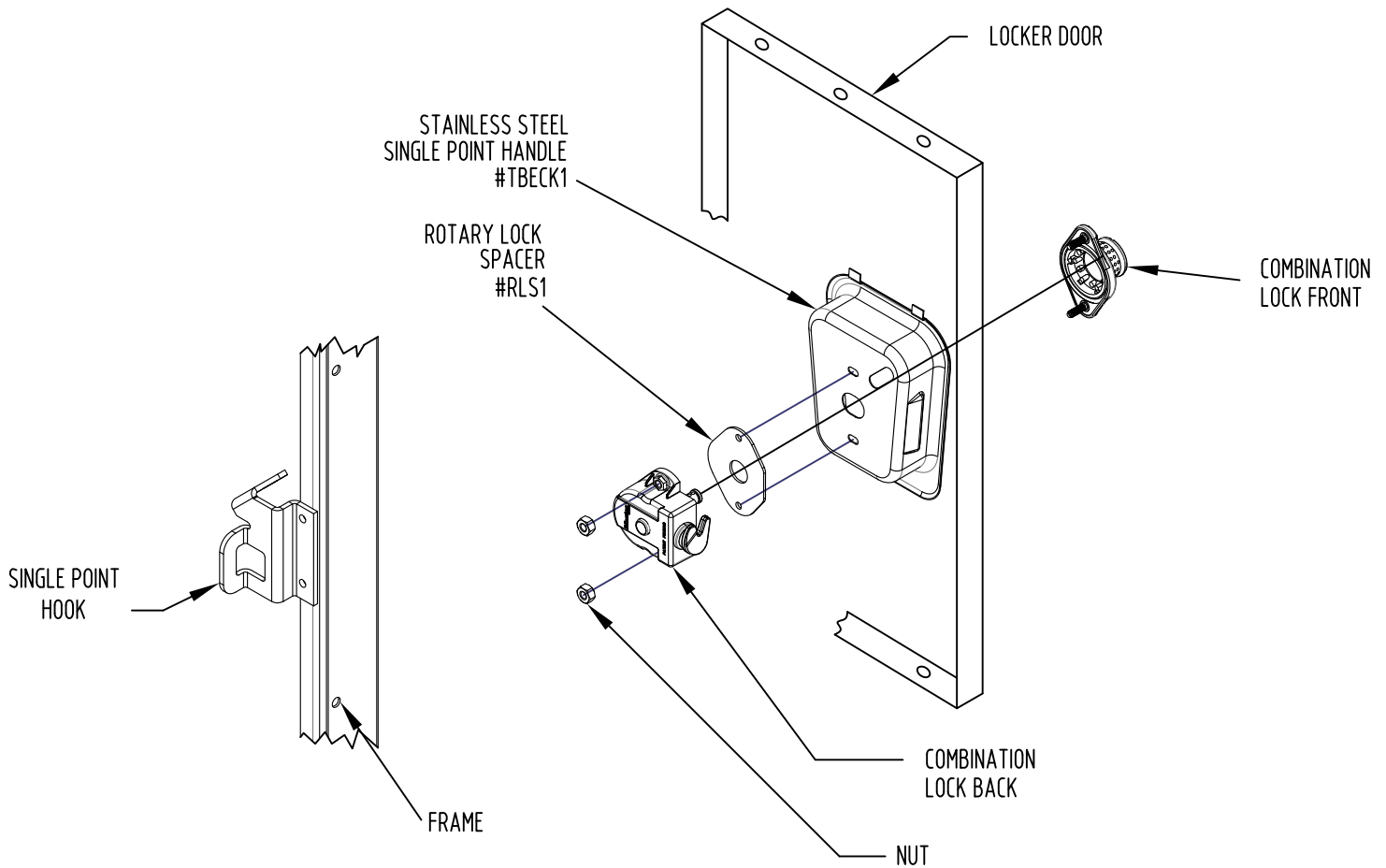


ROTARY LOCK SPACER

Installation Instructions for

Marquis Single-Point Lockers Using Built-In Rotary Locks Spacer



1. Insert combination lock front thru recessed handle .

2. Place the Marquis ROTARY LOCK SPACER, followed by the combination lock back on the back of the recessed handle as shown.

3. Finger tighten the nuts only

4. Close the door slowly in order to verify that lock clears the Marquis hook as it is being shut.

5. When everything is set , tighten the nut with a $\frac{3}{8}$ " nut driver. Taking care not to move the lock.



Phone 800-776-1342

www.ListIndustries.com

SA0737