

# TEEN LOCKER ASSEMBLY INSTRUCTIONS

## General Instructions

1. Check material received against the packing list. Check the number of packages received and then check the contents of each package.
2. Check the material received for damage. If damage has occurred, secure a “damage notation” from the carrier
3. Identify each part as it is unpacked and put like parts together as close as possible to the working area where they are to be assembled.
4. Be careful to use the correct hardware as specified in the assembly instructions.

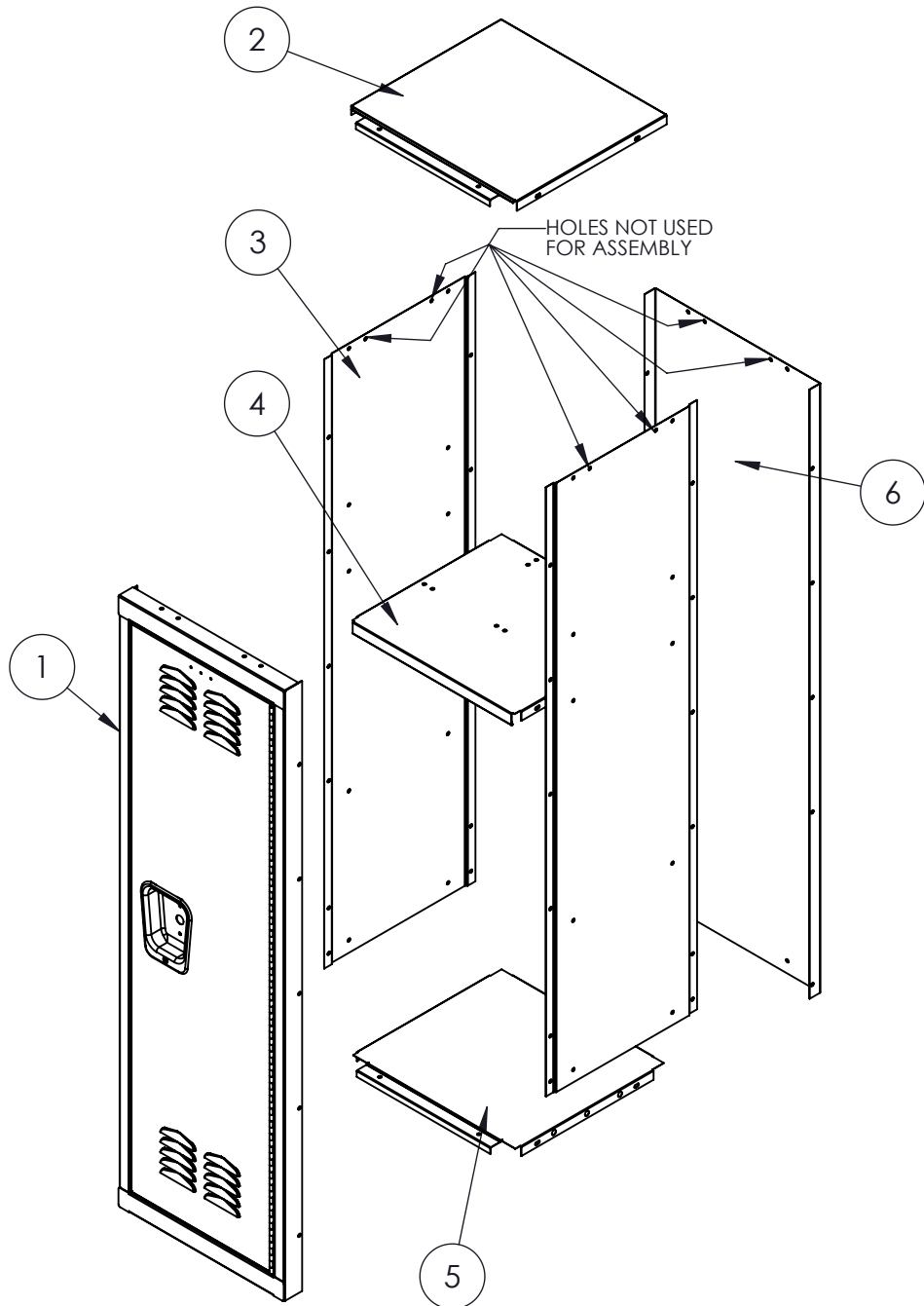
## CAUTION

In the interest of safety, all lockers must be securely anchored to the floor and/or wall. For safety, handle all components carefully and wear work gloves when assembling lockers. Install all units plumb and tighten all hardware securely. Retain instructions for future reference.



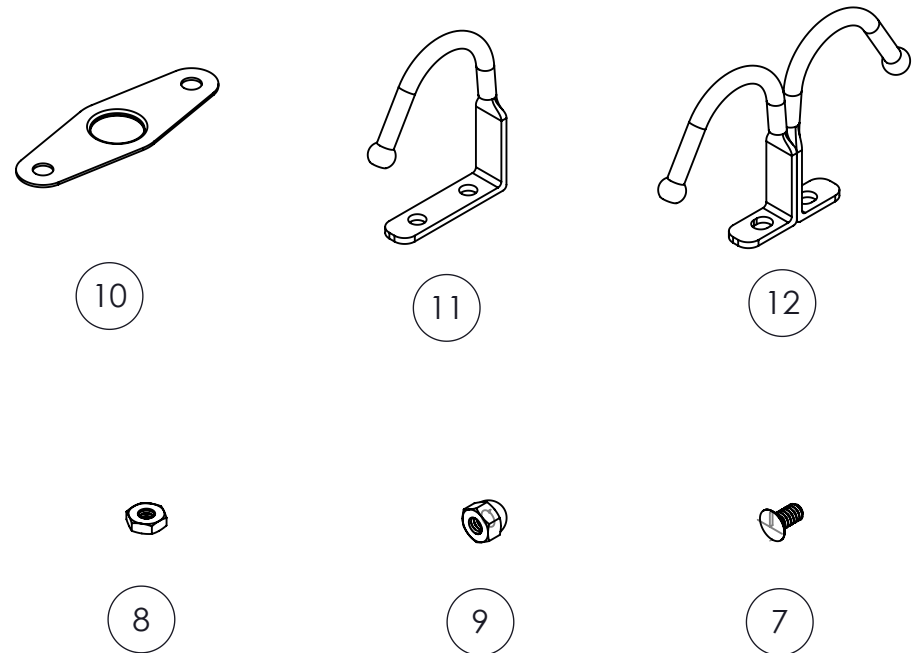
800-776-1342  
info@ListIndustries.com  
www.ListIndustries.com

# KIDS LOCKERS ASSEMBLY INSTRUCTIONS - HKL151548-1



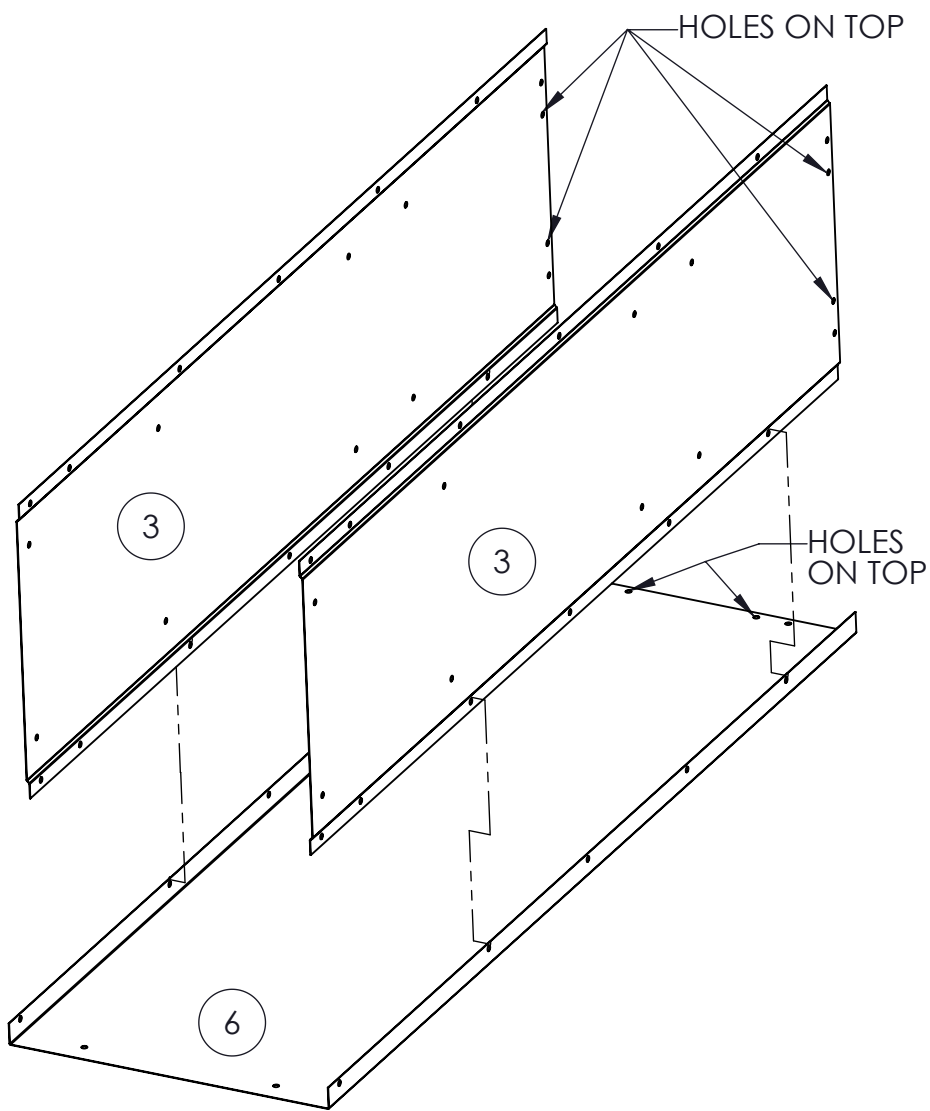
## PACKAGE CONTENTS

ITEM NO.	PART #	DESCRIPTION	QTY.
1	KDHF1548-1LV	FRAME/DOOR ASSY.	1
2	HTLC1515	TOP	1
3	KP1548-HKL	SIDE	2
4	KH1515	HAT SHELF	1
5	KS1515-HKL	BOTTOM	1
6	KR1548-HKL	REAR	1
7	MBT200	3/8" SLOTLESS BOLTS	46
8	N201	HEX NUTS	44
9	N110	DOME HEX NUT	2
10	RPE100	ESCUTCHEON PLATE	1
11	H5K	SINGLE HOOK	2
12	H7K	DOUBLE HOOK	1



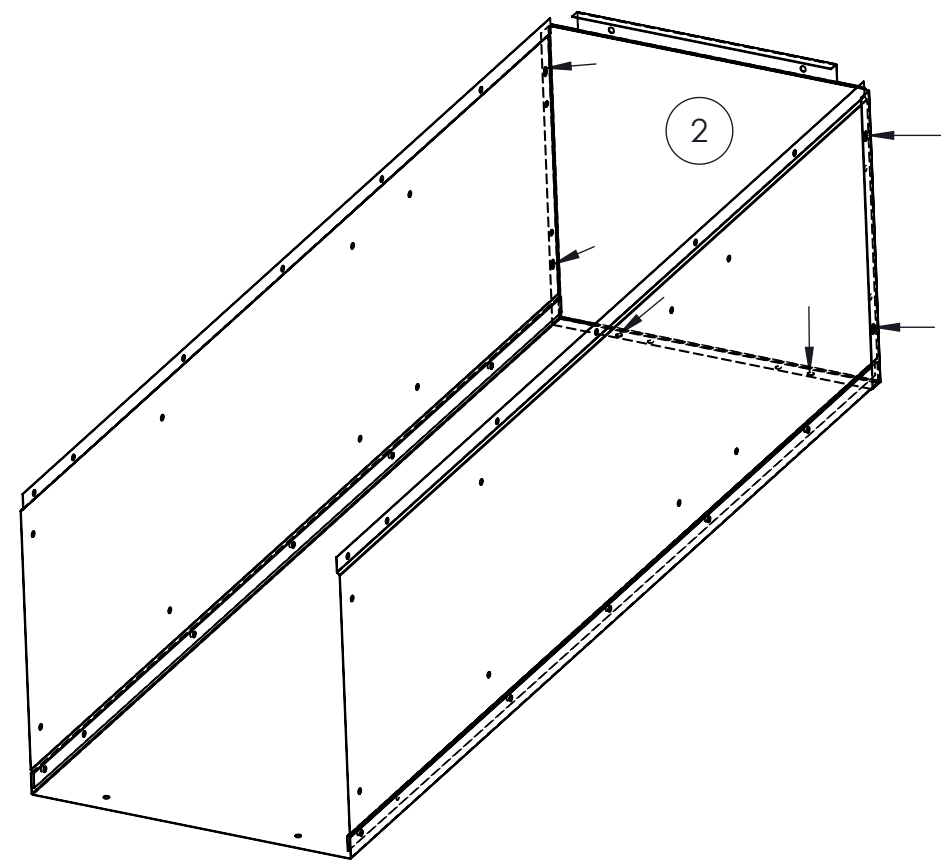
**STEP 1:**

- Lay the rear panel on the floor.
- Bolt side panels(3) to the inside of the rear panel(6).



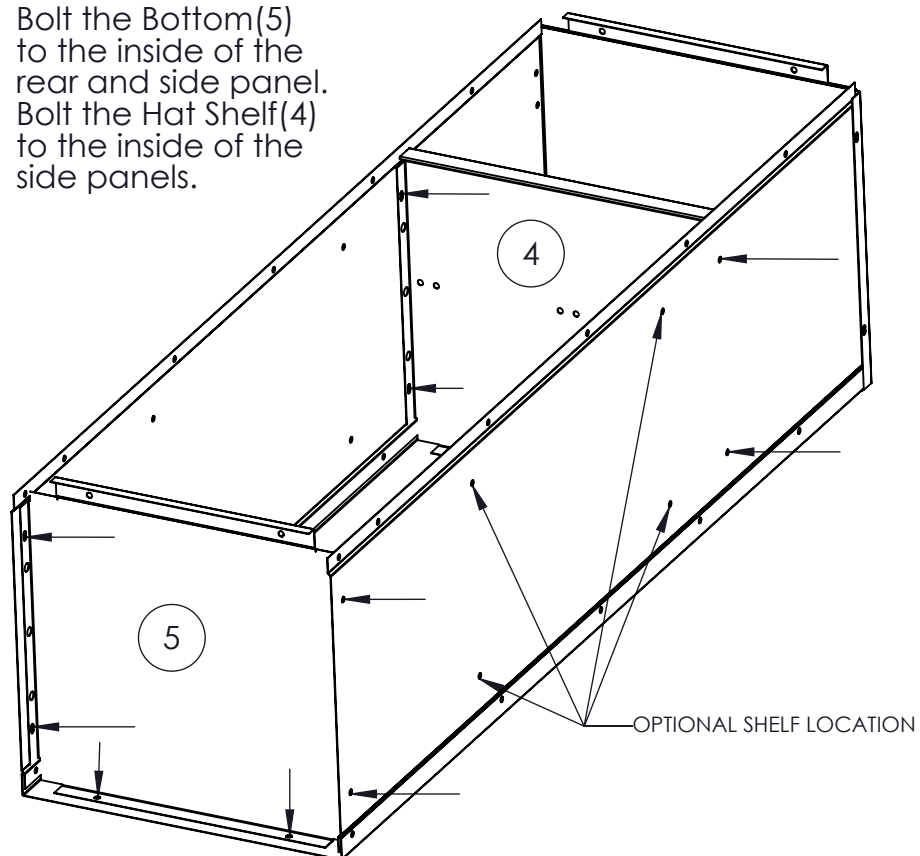
**STEP 2:**

- Bolt top(2) to the outside of the rear and side panels,



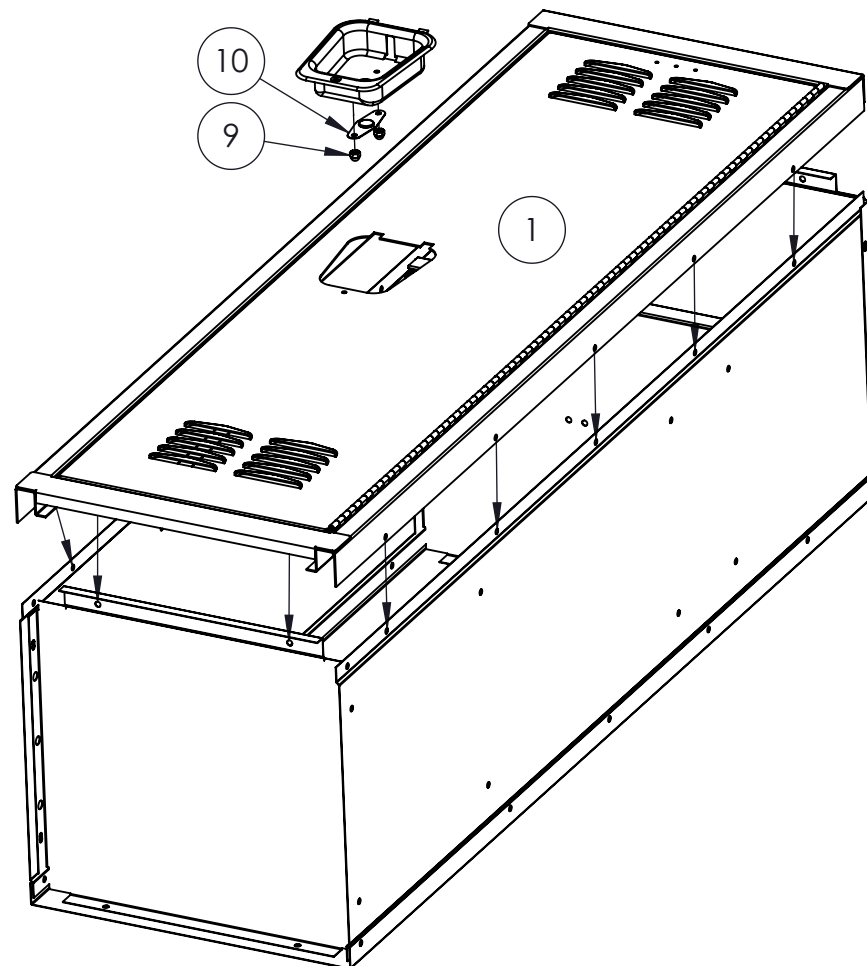
**STEP 3:**

- Bolt the Bottom(5) to the inside of the rear and side panel.
- Bolt the Hat Shelf(4) to the inside of the side panels.



**STEP 4:**

- Bolt Frame(1) to sides, top and bottom.
- Bolt Escutcheon plate (10) to Pan using dome nuts(9)
- Tighten all hardware



# PERSONALIZE YOUR NEW LOCKER



For just \$10, receive an authentic engraved locker name plate!

## HOW TO ORDER

- Fill out all information below
- E-mail completed form to Sales@Hallowell-List.com or fax to 407-464-3610

Name to be engraved: \_\_\_\_\_ (max. 10 letters)

### Shipping information:

Name: \_\_\_\_\_

Address: \_\_\_\_\_

\_\_\_\_\_

\_\_\_\_\_

Phone: \_\_\_\_\_

### Billing information:

MASTERCARD  VISA

Card Number: \_\_\_\_\_

Exp. Date: \_\_\_\_\_ Security Code: \_\_\_\_\_

Cardholder Name: \_\_\_\_\_

Signature: \_\_\_\_\_

Authorized Amount: \$10.00

(includes shipping and handling)



Toll Free: 866-566-0500  
www.Hallowell-List.com