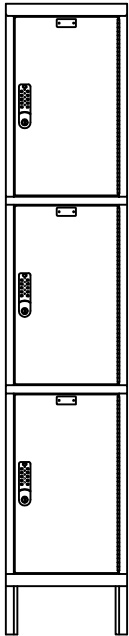
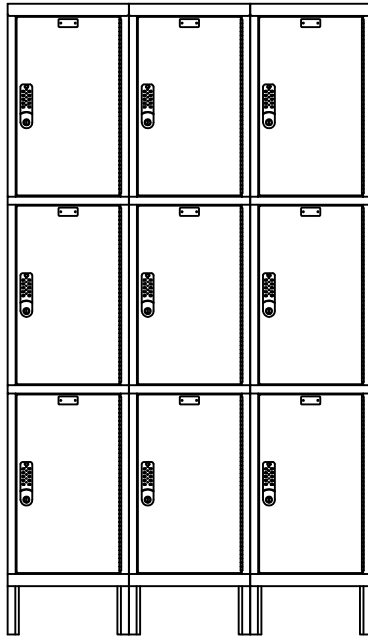


LAPTOP/BACKPACK K. D. STOCK LOCKER ASSEMBLY INSTRUCTIONS

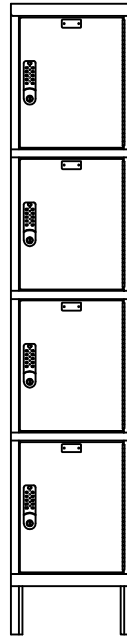


1-WIDE

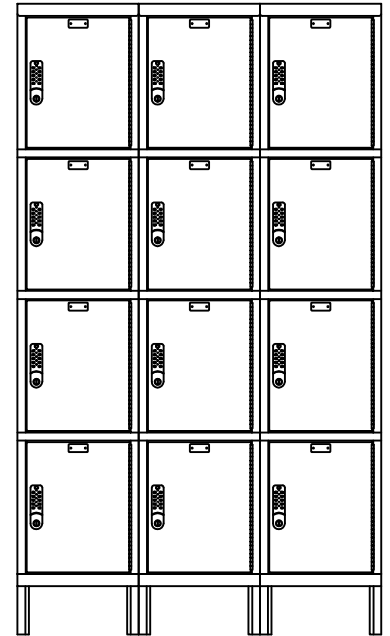


3-WIDE

3-TIER



1-WIDE



3-WIDE

4-TIER

General Instructions

1. Check material received against the packing list. First check the number of packages received and then check the contents of each package.
2. Check material received for damage. If damage has occurred, secure a "damage notation" from the carrier.
3. Identify each part as it is unpacked and put like parts together as close as possible to the working area in which they are to be assembled.
4. Be careful to use the correct hardware as specified in the assembly instructions.
5. Items with suffix (xx) are available options.

CAUTION

IN THE INTEREST OF SAFETY, ALL LOCKERS MUST BE SECURELY ANCHORED TO THE FLOOR AND/OR WALL.
FOR SAFETY, HANDLE ALL COMPONENTS CAREFULLY AND WEAR WORK-GLOVES WHEN ASSEMBLING LOCKERS.

INSTALL ALL UNITS PLUMB AND TIGHTEN ALL HARDWARE SECURELY.

RETAIN INSTRUCTIONS FOR FUTURE REFERENCE.

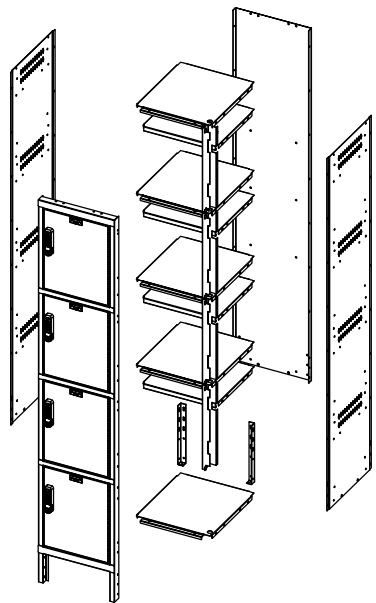


Phone (800) 776-1342

www.ListIndustries.com

LAPTOP/BACKPACK K.D. STOCK LOCKER ASSEMBLY INSTRUCTIONS

PACKAGE CONTENTS

REF. NO.	DESCRIPTION	PART NO.	3-TIER		4-TIER		
			1-WIDE QTY	3-WIDE QTY	1-WIDE QTY	3-WIDE QTY	
①	REAR PANEL	KRww72	1	3	1	3	 <p>1-Wide 4-Tier Laptop/Backpack Locker</p>
②	SIDE PANEL	KPdd72DP16EO-t	2	4	2	4	
③	TOP/BOTTOM/ INTERMEDIATE SHELF	KSwwddE016	4	12	5	15	
④	HAT SHELF	KHwwddE016	3	9	4	12	
⑤	DOOR FRAME ASSEMBLY	AKDFww78-tT-E0	1	3	1	3	
x ⑥	DOOR	AKDww72-tt-EL	3	9	4	12	
⑦	DIGITECH LOCK W/CAM	3780726/6242844	3	9	4	12	
⑧	NUMBER PLATE	NPL100	3	9	4	12	
⑨	REAR LEG	KLK	2	2	2	2	
⑩	ELECTRICAL HOUSING	KEH72-t	3	9	4	12	
⑪	3/8" SLOTLESS BOLT	MBT200	92	226	126	274	
⑫	HEX NUT	N201	92	226	126	274	
⑬	NUMBER PLATE RIVET	RV101	6	18	8	24	

PART NUMBER SUFFIX SHOW
WIDTH, HEIGHT, DEPTH AND TIER
CUSTOMER TO SPECIFY.

NOTE:

FOR OPTIONAL 6" HIGH CLOSED METAL BASE,
SEE SUPPLEMENTAL INSTRUCTION SHEET NO. ASY-H-KIST-B

x SHIPS PRE-HUNG IN DOOR FRAME ASSEMBLY.

PART NO. LEGEND:

dd = DEPTH
ww = WIDTH
hh = HEIGHT
t = TIER

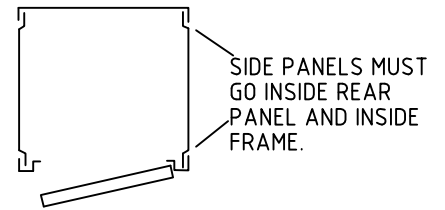
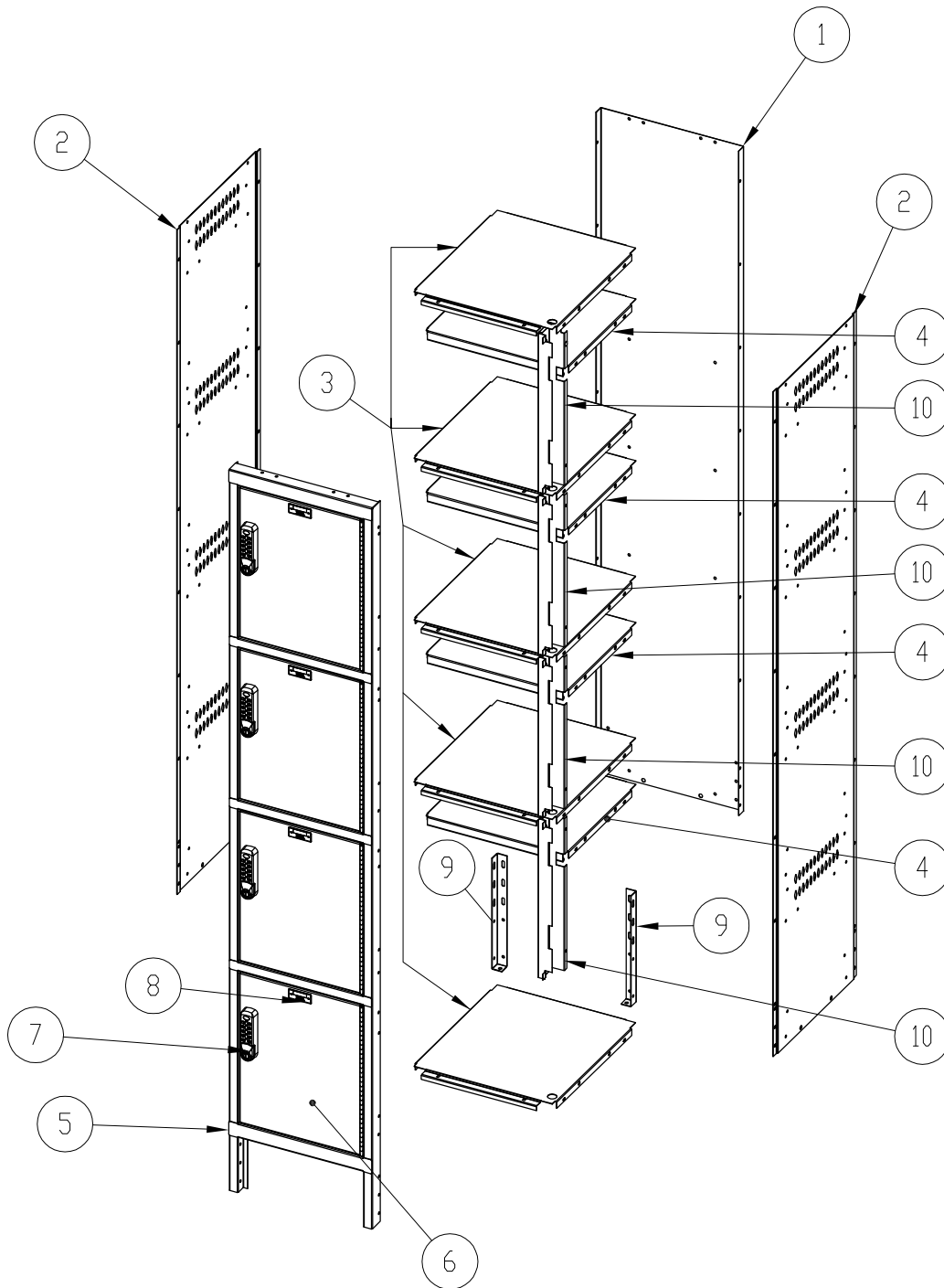
**TOOLS REQUIRED: 3/8" NUT
DRIVER (3/8" SOCKET MAY BE
SUBSTITUTED)**

TWO-YEAR WARRANTY

ART METAL PRODUCTS KD LOCKERS ARE COVERED AGAINST ALL DEFECTS IN MATERIALS AND WORKMANSHIP EXCLUDING FINISH, DAMAGE RESULTING FROM DELIBERATE DESTRUCTION AND VANDALISM UNDER THIS SECTION FOR A PERIOD OF TWO YEARS.

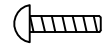


LAPTOP/BACKPACK K.D. STOCK LOCKER ASSEMBLY INSTRUCTIONS



SIDE PANELS MUST GO INSIDE REAR PANEL AND INSIDE FRAME.
TOP VIEW OF 1-WIDE
FOLLOW BASIC INSTRUCTIONS FROM 3-WIDE ASSEMBLY

HARDWARE USED FOR MAIN LOCKER ASSEMBLY



10 - 24 x 3/8"
MBT200 SLOTLESS BOLT (11)



N201 HEX NUT (12)

TIGHTEN NUT WITH A NUT DRIVER OR WRENCH (SCREW IS TAMPER RESISTANT).

LIST INDUSTRIES MAKES EVERY EFFORT TO ENSURE THAT ALL UNITS SHIP COMPLETE. HOWEVER, SHOULD YOUR UNIT CONTAIN MISSING OR DAMAGED PARTS, REPLACEMENTS MAY BE OBTAINED FROM HALLOWELL. TO OBTAIN PARTS, FOLLOW THESE INSTRUCTIONS.

PLEASE PROVIDE THE FOLLOW INFORMATION:

MODEL NUMBER

PURCHASE DATE

DESCRIPTION OF PART(S) NEEDED & PART NUMBER(S) AS SHOWN IN PARTS LIST

COMPANY NAME & CONTACT PERSON

COLOR

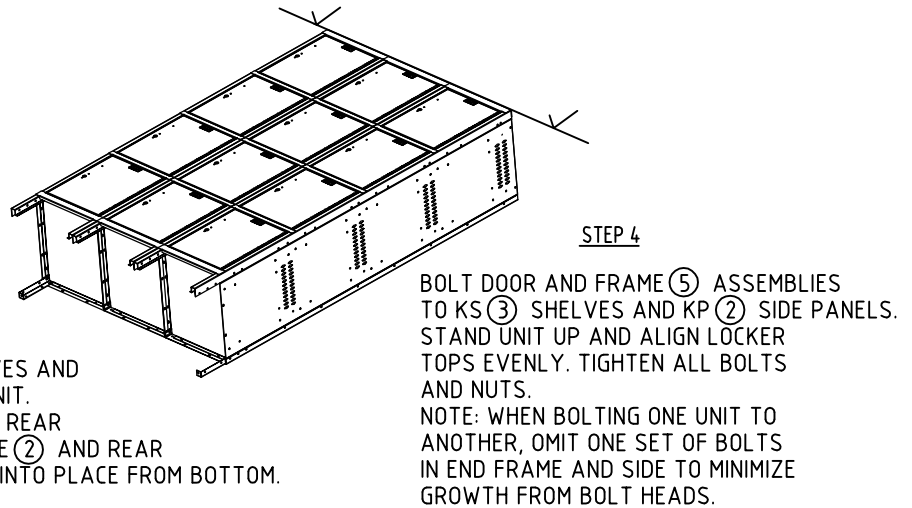
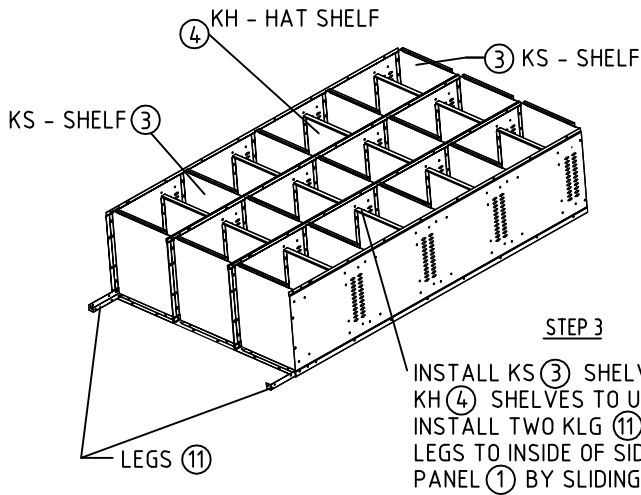
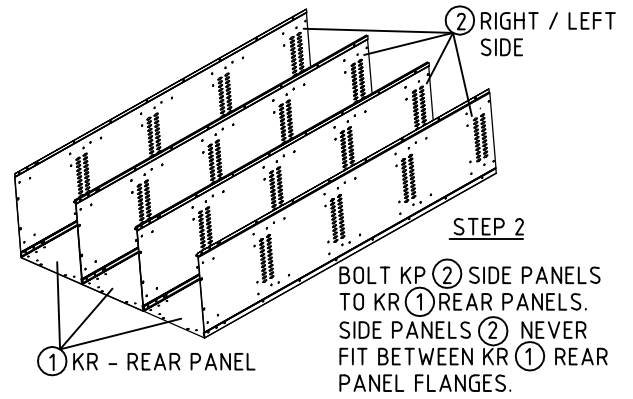
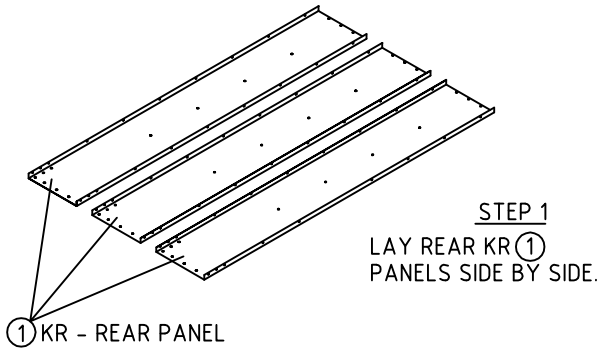
WHERE THE PRODUCT WAS PURCHASED FROM

IF REQUESTING PARTS BY TELEPHONE, ASK FOR CUSTOMER SERVICE & PROVIDE THE ABOVE INFORMATION.

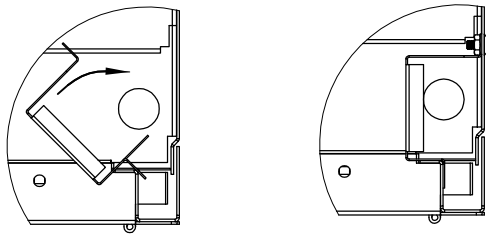


LAPTOP/BACKPACK K.D. STOCK LOCKER ASSEMBLY INSTRUCTIONS

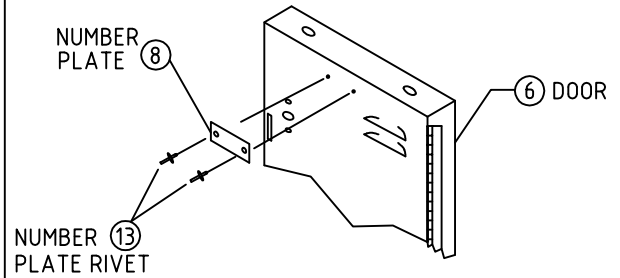
(A GROUPING OF (3) THREE 4-TIER LOCKERS ILLUSTRATED)



ATTACHMENT OF AFTERMARKET ELECTRICAL HOUSING (NOT REQUIRED IF ELECTRICAL IS NOT USED)

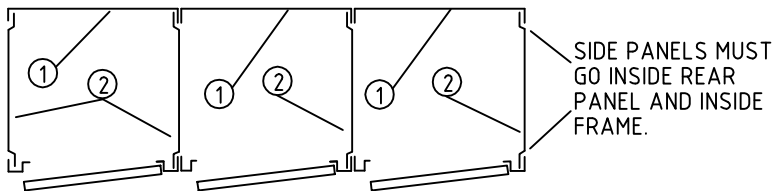


ROTATE ELECTRICAL HOUSING INTO PLACE AND BOLT TO SIDE PANEL



ASSEMBLY OF NUMBER PLATE

ASSEMBLY OF SINGLE ROW LOCKERS NEVER PUT SIDE PANELS BETWEEN FRAMES.



3-WIDE UNIT PLAN VIEW

ASSEMBLY OF DIGITECH LOCK

