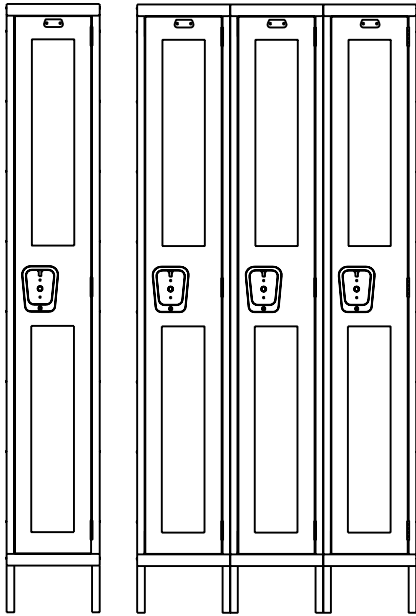


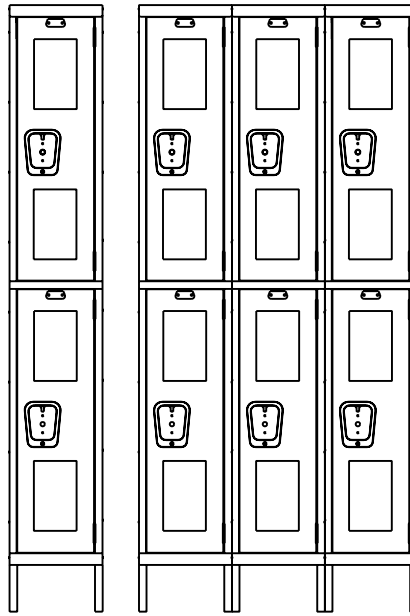
# SAFETY-VIEW K. D. WARDROBE STOCK LOCKER ASSEMBLY INSTRUCTIONS



1 WIDE

3 WIDE

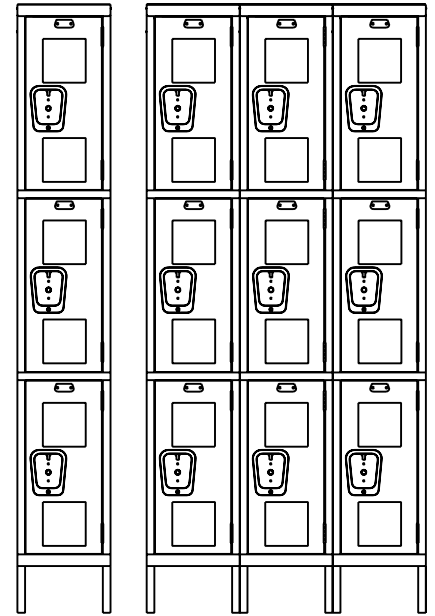
SINGLE TIER



1 WIDE

3 WIDE

DOUBLE TIER



1 WIDE

3 WIDE

TRIPLE TIER

## General Instructions

1. Check material received against the packing list. First check the number of packages received and then check the contents of each package.
2. Check material received for damage. If damage has occurred, secure a "damage notation" from the carrier.
3. Identify each part as it is unpacked and put like parts together as close as possible to the working area in which they are to be assembled.
4. Be careful to use the correct hardware as specified in the assembly instructions.
5. Items with suffix (xx) are available options.

## CAUTION

IN THE INTEREST OF SAFETY, ALL LOCKERS MUST BE SECURELY ANCHORED TO THE FLOOR AND/OR WALL.  
FOR SAFETY, HANDLE ALL COMPONENTS CAREFULLY AND WEAR WORK-GLOVES WHEN ASSEMBLING LOCKERS.

INSTALL ALL UNITS PLUMB AND TIGHTEN ALL HARDWARE SECURELY.

RETAIN INSTRUCTIONS FOR FUTURE REFERENCE.



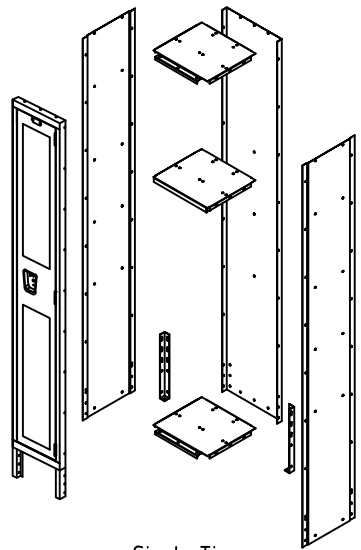
401 Jim Moran Blvd., P.O. Box 9601  
Deerfield Beach, FL 33442

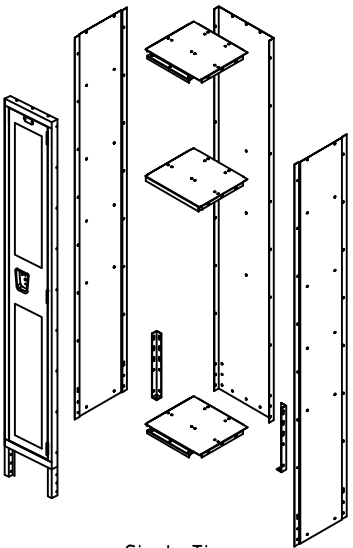
Phone (954) 429-9155  
Fax (954) 428-3843

[www.ListIndustries.com](http://www.ListIndustries.com)

# SAFETY-VIEW K.D. WARDROBE STOCK LOCKER ASSEMBLY INSTRUCTIONS

## PACKAGE CONTENTS

REF. NO.	DESCRIPTION	PART NO.	1-WIDE QUANTITY			3-WIDE QUANTITY			
			1-TIER	2-TIER	3-TIER	1-TIER	2-TIER	3-TIER	
①	REAR PANEL	KR1272	1	1	1	3	3	3	 <p style="text-align: center;">Single Tier KD Locker</p>
②	RIGHT/LEFT SIDE PANEL	KPdd72	2	2	2	4	4	4	
③	TOP/BOTTOM SHELF	KS12dd	2	3	4	6	9	12	
④	HAT SHELF	KH12dd	1	-	-	3	-	-	
⑤	SINGLE CEILING HOOK	H5K	2	4	-	6	12	-	
⑥	DOUBLE CEILING HOOK	H7K	1	2	3	3	6	9	
xx⑦	COAT ROD BRACKET	xxTRH 200	xx2	xx4	-	xx6	12	-	
xx⑧	COAT ROD	xxKCR	xx1	xx2	-	xx3	6	-	
⑨	DOOR FRAME ASSEMBLY	KDF1278-tSV	1	1	1	3	3	3	
x⑩	DOOR	KD1272-tSV	1	2	3	3	6	9	
x⑪	DRAWN HANDLE S.S.	TBECK2	1	2	3	3	6	9	
x⑫	LOCK CHANNEL	KLhh-t	1	2	3	3	6	9	
x⑬	CHANNEL STOP	CS002	2	4	6	6	12	18	
x⑭	NYLON LATCH	DLB100B	2	4	6	6	12	18	
x⑮	SPRING	LS100	2	4	6	6	12	18	
x⑯	LOCK BRACKET	SLB101L	1	2	3	3	6	9	
x⑰	PLASTIC LIFTER	LC100B	1	2	3	3	6	9	
⑱	REAR LEG	KLG	2	2	2	2	2	2	
x⑲	BUMPER	KDB300	3	4	6	9	12	18	
⑳	NUMBER PLATE	NPL	1	2	3	3	6	9	
㉑	NUMBER PLATE RIVET	RV101	2	4	6	6	12	18	
㉒	3/8" SLOTLESS BOLT	MBT200	62	74	70	134	166	188	
㉓	HEX NUT	N201	60	70	64	128	154	170	
㉔	ESCUTCHEON PLATE	RPE100	1	2	3	3	6	9	
㉕	HI-DOME CAP NUT	N110	2	4	6	6	12	18	
x㉖	RIVET (HANDLE)	RV102	1	2	3	3	6	9	
x㉗	SAFETY VIEW LEXAN	SVL72-t	2	4	6	6	12	18	
x㉘	LEXAN RETAINER	SVLR	2	4	6	6	12	18	
x㉙	RETAINER RIVET	RV100	4	8	12	12	24	36	
x㉚	RIVET (HINGE)	RV102	6	8	12	18	24	36	



Single Tier  
KD Locker

### PART NO. LEGEND:

dd = DEPTH  
hh = HEIGHT (FRAME)  
t = TIER

PART NUMBER SUFFIX SHOWS WIDTH, DEPTH, HEIGHT AND TIER. CUSTOMER TO SPECIFY.

### NOTE:

FOR OPTIONAL INDIVIDUAL SLOPE TOPS,  
SEE SUPPLEMENTAL INSTRUCTION SHEET NO. ASY-L-KIST-A

FOR OPTIONAL 6" HIGH CLOSED METAL BASE,  
SEE SUPPLEMENTAL INSTRUCTION SHEET NO. ASY-L-KIST-B

x SHIPS PRE-HUNG IN FRAME ASSEMBLY.

xx STRIKE PLATES ARE OPTIONAL - INCLUDES TWO RIVETS ⑨.

**TOOLS REQUIRED: 3/8" NUT DRIVER (3/8" SOCKET MAY BE SUBSTITUTED)**

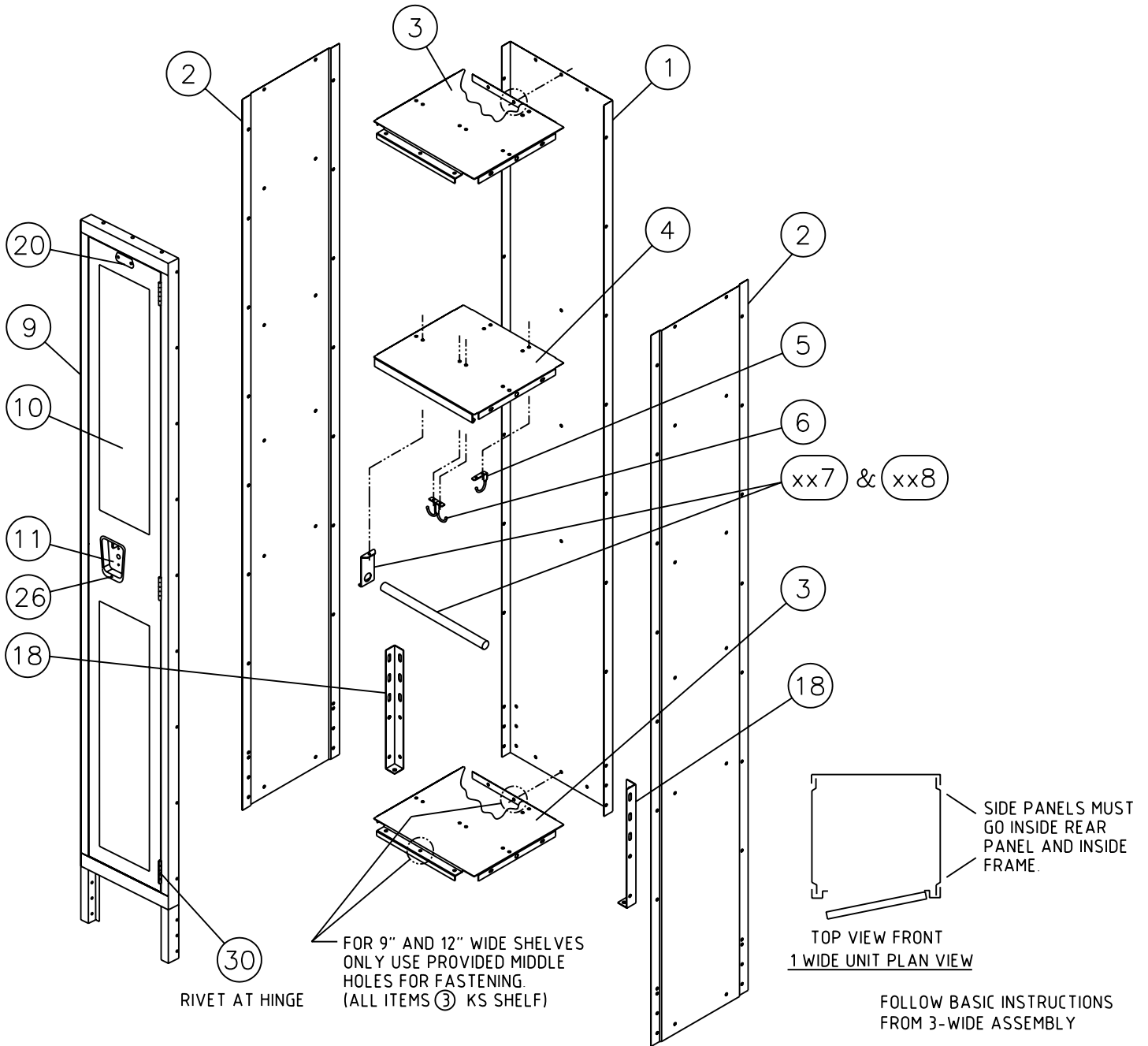
**REMOVE PROTECTIVE FILM FROM SAFETY-VIEW PANELS AFTER INSTALLATION**

## TWO-YEAR WARRANTY

LIST INDUSTRIES K.D. LOCKERS ARE COVERED AGAINST ALL DEFECTS IN MATERIALS AND WORKMANSHIP EXCLUDING FINISH, DAMAGE RESULTING FROM DELIBERATE DESTRUCTION AND VANDALISM FOR A PERIOD OF TWO YEARS.



# SAFETY-VIEW K.D. WARDROBE STOCK LOCKER ASSEMBLY INSTRUCTIONS



COAT ROD (KCR<sub>ww</sub>) & COAT ROD BRACKETS (TRH 200) ARE OPTIONAL.

LIST INDUSTRIES MAKES EVERY EFFORT TO ENSURE THAT ALL UNITS SHIP COMPLETE; HOWEVER, SHOULD YOUR UNIT CONTAIN MISSING OR PARTS, REPLACEMENTS MAY BE OBTAINED FROM LIST INDUSTRIES. TO OBTAIN PARTS, FOLLOW THESE INSTRUCTIONS.

## PLEASE PROVIDE THE FOLLOW INFORMATION:

MODEL NUMBER

DESCRIPTION OF PART(S) NEEDED & PART NUMBER(S) AS SHOWN IN PARTS LIST

COLOR

PURCHASE DATE

COMPANY NAME & CONTACT PERSON

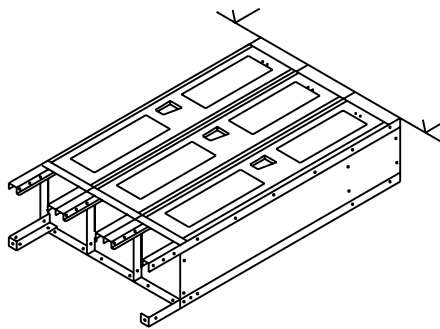
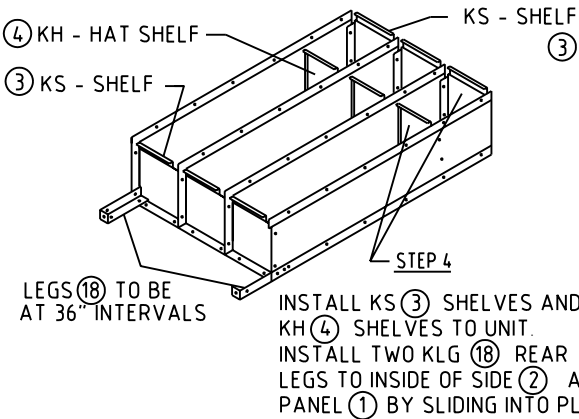
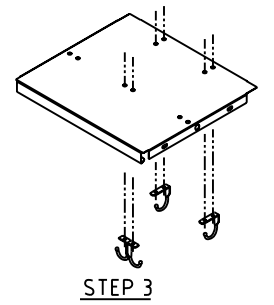
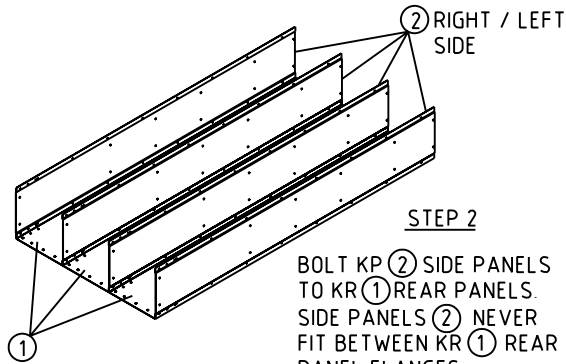
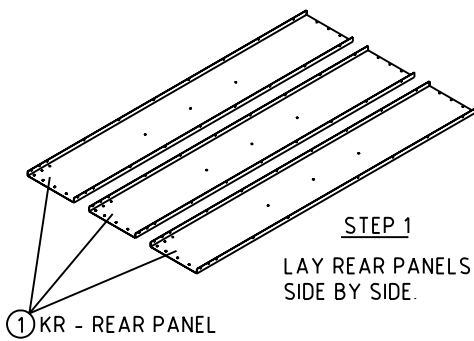
WHERE THE PRODUCT WAS PURCHASED FROM

IF REQUESTING PARTS BY TELEPHONE, ASK FOR CUSTOMER SERVICE & PROVIDE THE ABOVE INFORMATION.

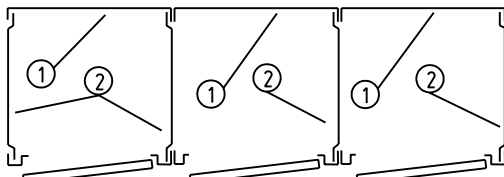


# SAFETY-VIEW K.D. WARDROBE STOCK LOCKER ASSEMBLY INSTRUCTIONS

(A GROUPING OF 3-WIDE SINGLE TIER LOCKERS ILLUSTRATED)



ASSEMBLY OF SINGLE ROW LOCKERS  
NEVER PUT SIDE PANELS BETWEEN FRAMES OR REAR PANELS.



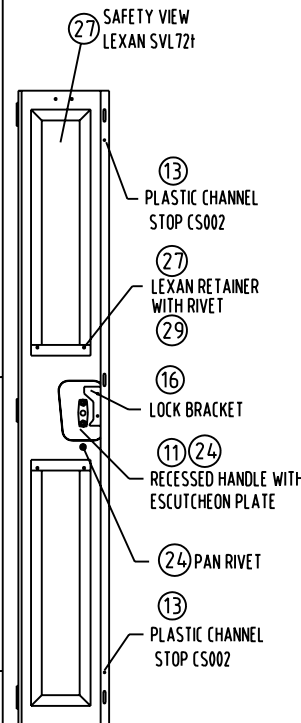
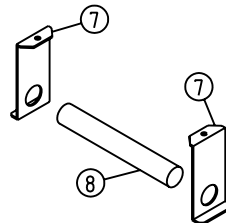
SINGLE TIER EXAMPLE - 3 WIDE UNIT PLAN VIEW

SIDE PANELS MUST GO INSIDE REAR PANEL AND INSIDE FRAME.

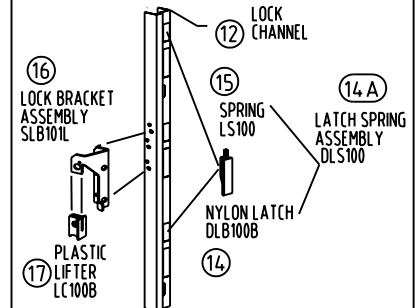
## OPTIONAL COAT ROD

BRACKETS TO BE BOLTED TO UNDERSIDE OF HAT SHELF WITH COAT ROD IN BETWEEN.

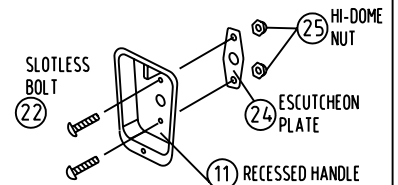
- ×× ⑦ COAT ROD BRACKETS (××TRH 200)
- ×× ⑧ COAT ROD (×× KCRww)



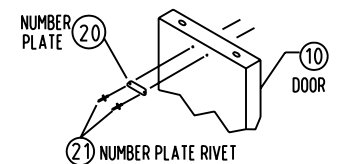
INSIDE DOOR VIEW



EXPLODED VIEW OF LOCK CHANNEL



ASSEMBLY OF ESCUTCHEON PLATE



ASSEMBLY OF NUMBER PLATE

⑥ DOUBLE CEILING HOOK (H7K)  
TO BE BOLTED TO UNDERSIDE OF HAT SHELF.



⑤ SINGLE CEILING HOOK (H5K)  
TO BE BOLTED TO UNDERSIDE OF HAT SHELF.

