

# **RIVETWELL**

## **BY HALLOWELL**

# **RECEIVING INSTRUCTIONS**

1. Check the number of packages (parts) received against the bill of lading. If any shortages, secure a "Shortage Notation" from the carrier and file a claim. Check material for damage. If any is damaged, secure a "Damage Notation" from the carrier and file a claim against carrier.
2. Check material received against your "Copy of Order".
3. When unpacking, arrange like parts together and as close as possible to working area in which they are assembled.
4. Tools required are a Rubber Mallet and a Screw Driver when using center supports.
5. Familiarize yourself with all the component parts.
6. Save this document for future reference.

# **ASSEMBLY INSTRUCTIONS**

1. Start by putting side frame assemblies together by inserting front to back beams (part ABS/ABH) into post at top and bottom.
2. Once both side frame assemblies are made, take one side frame assembly and insert one left to right angle beam (ABS/ABH) into the bottom of front post and one left to right beam into the bottom of the rear post. This will make the frame stand up by itself. Now insert the opposite end of the same left to right beams (ABS/ABH) into the other frame assembly.
3. Now with the unit standing, insert additional beams required to complete unit.
4. Assemble center supports (if required) to angle beams and/or channel beams using (4) 1/4-20 x 1/2 bolts and hex nuts per support.
5. Assemble foot plate (if required) to post using one (1) or two (2) (as required) tek screws. Anchor to floor (anchors not supplied by HALLOWELL).
6. Attach tie plates (if required) by inserting rivets in post and tap down to seat.
7. Assemble row spacers and top ties (if required) by inserting rivets into the face of the posts opposite each other and tap to seat.
8. Assemble wall ties (as required) into the face of the post and anchor the opposite end to the wall.
9. Assemble post splice to bottom and top angle post using eight (8) bolts and eight (8) nuts. When using "T" post use two (2) post splices and attach to bottom and top post using twelve (12) bolts and twelve (12) nuts.

## **NOTES**

1. When inserting beams into slots on post, beams must be seated into bottom of slots with a Rubber Mallet.
2. Beams cannot be placed in the level occupied by a splice plate.

## **WARNING**

RIVETWELL units are intended for use in hand-loaded applications only.

Powered material handling equipment should never be used around RIVETWELL units without HALLOWELL approval.



2823 W. Orange Ave.  
Apopka, FL 32703

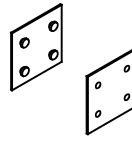
Phone (866) 566-0500  
Fax (407) 464-3610

**[www.Hallowell-List.com](http://www.Hallowell-List.com)**

# COMPONENTS

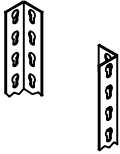
TP

TIE PLATE



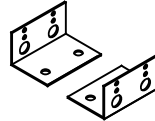
APS  
APH

ANGLE POST STANDARD  
OR  
ANGLE POST HEAVY



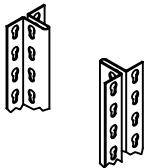
FP

FOOT PLATE



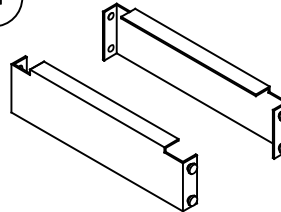
TPS  
TPH

TEE POST STANDARD  
OR  
TEE POST HEAVY



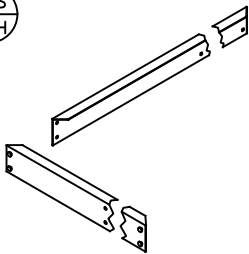
WT

WALL TIE



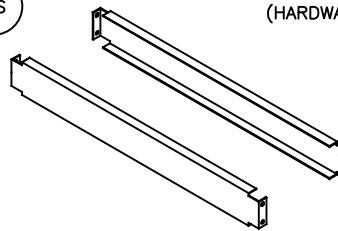
ABS  
ABH

ANGLE BEAM STANDARD  
OR  
ANGLE BEAM HEAVY



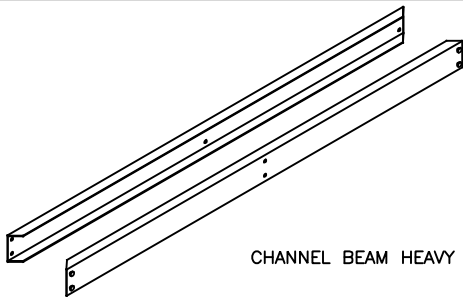
CS

CENTER SUPPORT  
(HARDWARE INCLUDED)



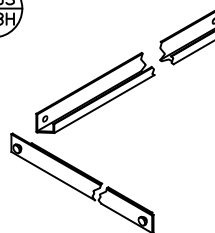
CBH

CHANNEL BEAM HEAVY



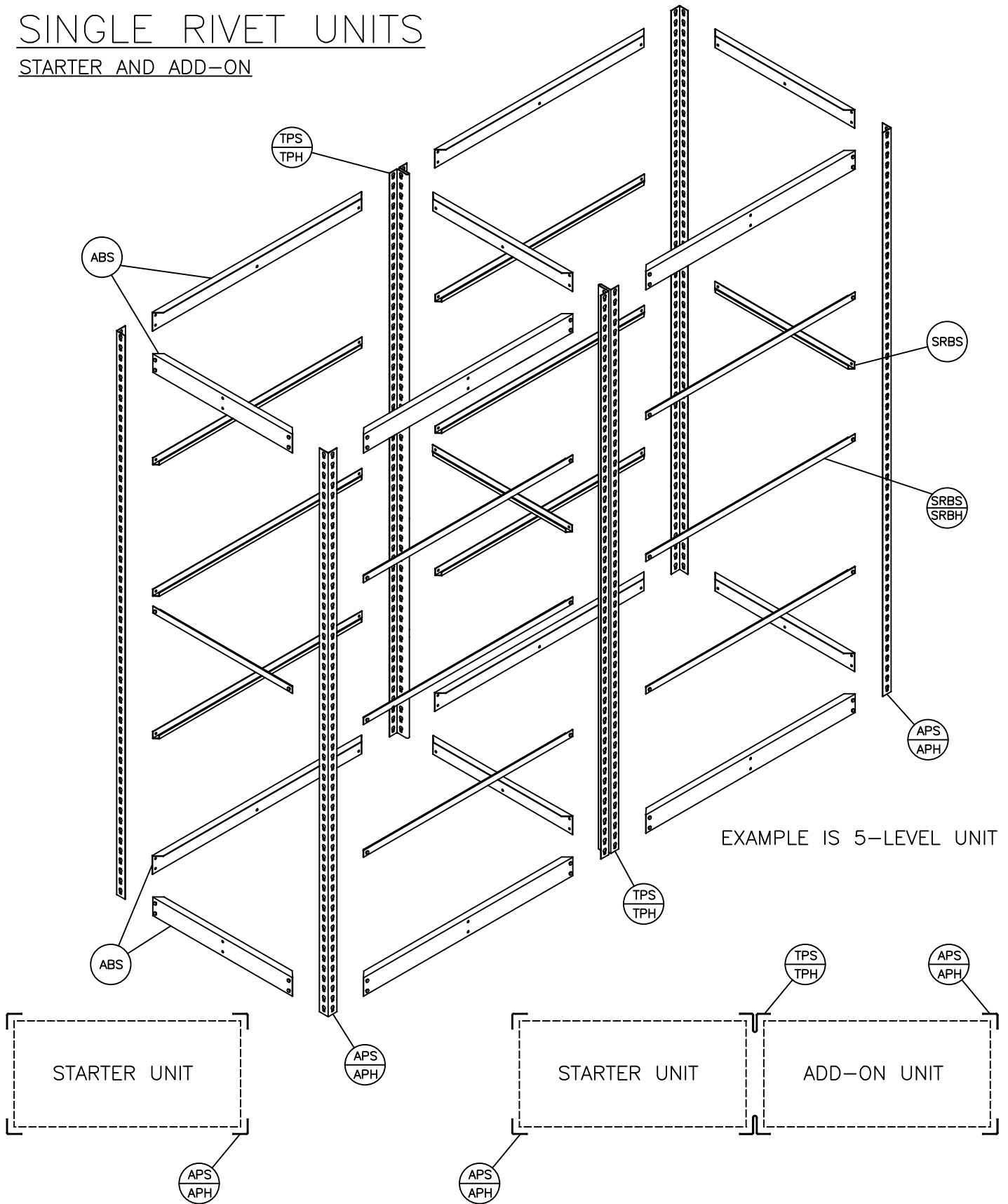
SRBS  
SRBH

SINGLE RIVET BEAM STANDARD  
OR  
SINGLE RIVET BEAM HEAVY



# SINGLE RIVET UNITS

## STARTER AND ADD-ON



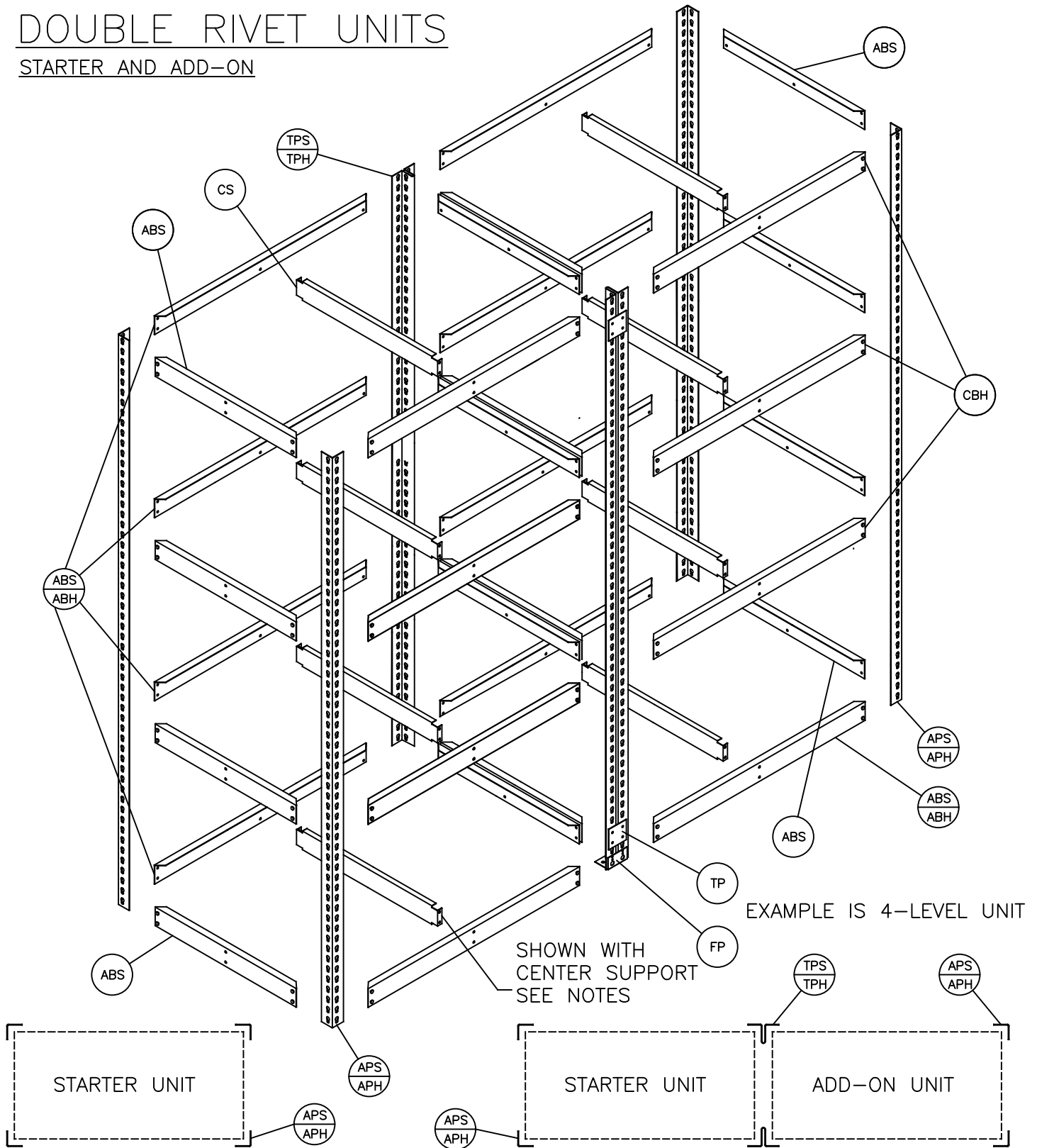
EXAMPLE IS 5-LEVEL UNIT

NOTE: FRONT-TO-BACK SINGLE RIVET BEAM IS LOCATED AT ONE INTERMEDIATE LEVEL ONLY.  
(MID POST HEIGHT)



# DOUBLE RIVET UNITS

## STARTER AND ADD-ON

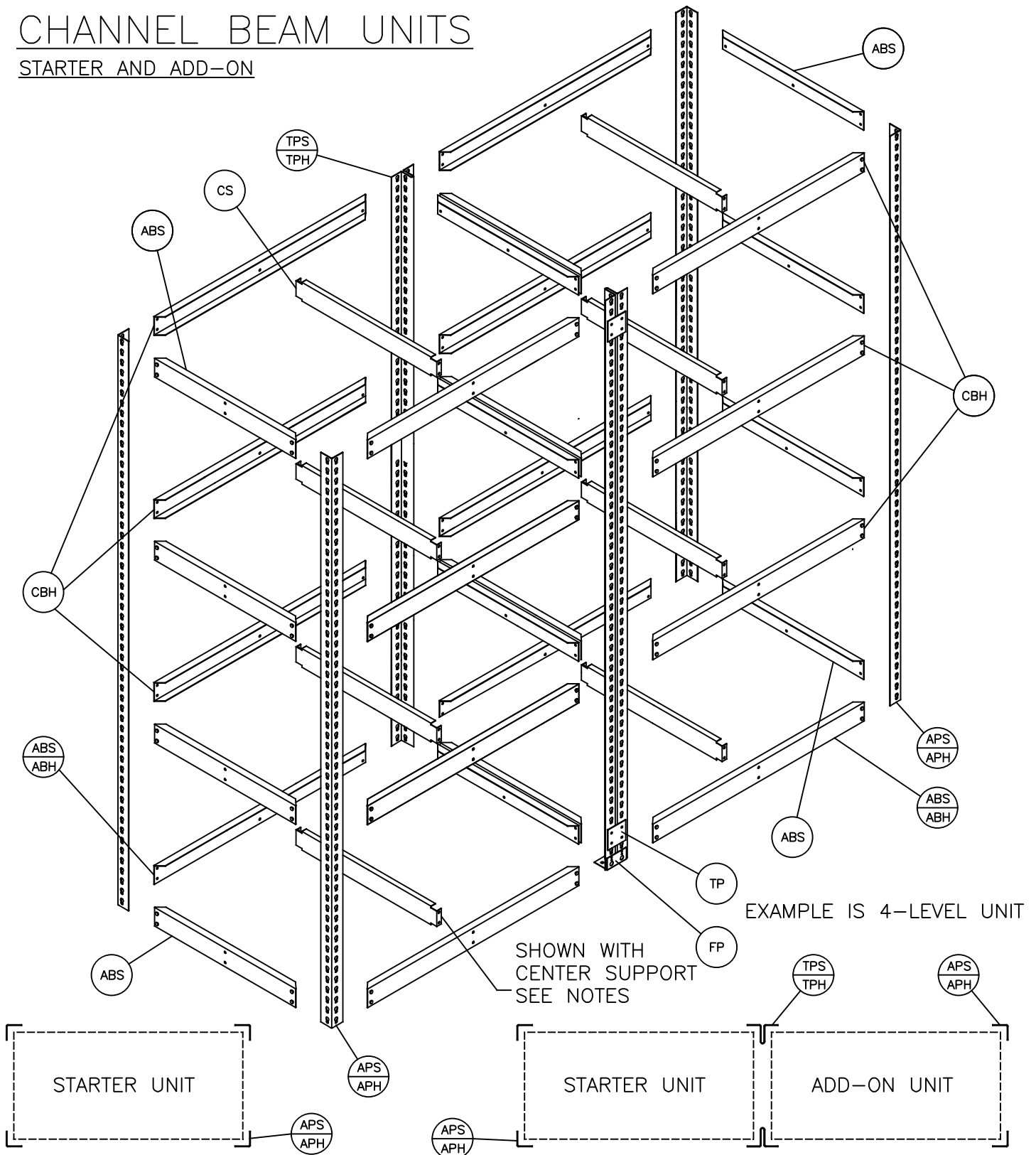


NOTE: WHEN ORDERING HEAVY-DUTY-ANGLE UNITS, ALL FRONT-TO-BACK BEAMS ARE STANDARD ABS ANGLE BEAMS. CENTER SUPPORT SHOWN ARE OPTIONAL FOR UNITS 48" TO 72" TO MEET DESIRED CAPACITY. ONE PER LEVEL IS REQUIRED FOR 84" WIDE AND TWO ARE REQUIRED PER LEVEL FOR 96" WIDE UNITS.



# CHANNEL BEAM UNITS

## STARTER AND ADD-ON

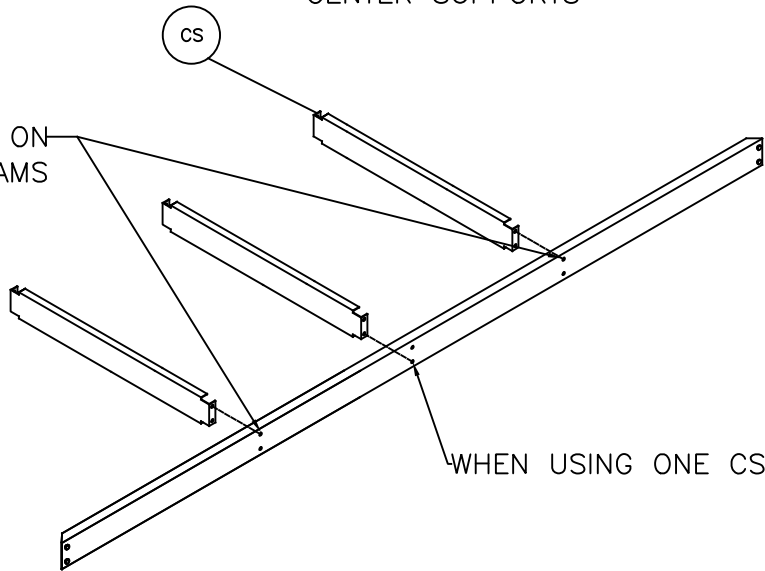


NOTE: WHEN ORDERING CHANNEL BEAM UNITS, ALL BOTTOM LEVEL BEAMS AND ALL FRONT-TO-BACK BEAMS ARE ABS/ABH ANGLE BEAMS. CENTER SUPPORT SHOWN ARE OPTIONAL FOR UNITS 48" TO 72" TO MEET DESIRED CAPACITY. ONE PER LEVEL IS REQUIRED FOR 84" WIDE AND TWO ARE REQUIRED PER LEVEL FOR 96" WIDE UNITS.



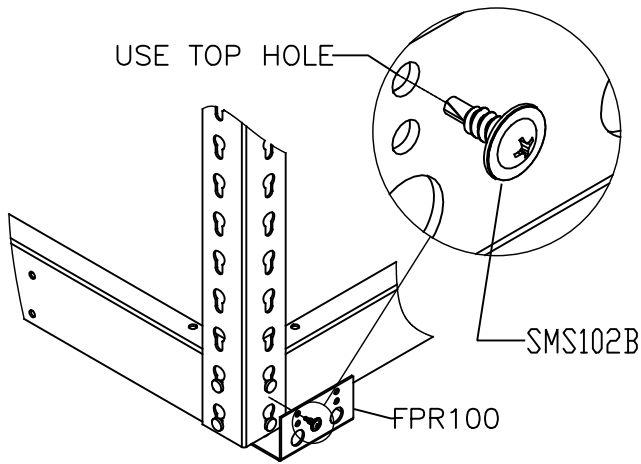
CENTER SUPPORTS

WHEN USING TWO CS ON  
60" - 90" BEAMS

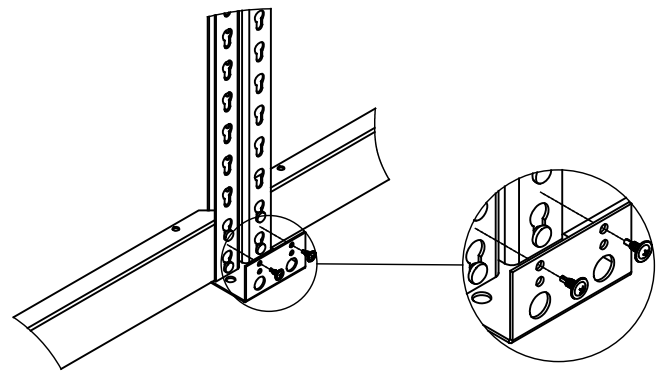


NOTE: STANDARD HALLOWELL PRE-CONFIGURED CENTERED SUPPORTED UNITS INCLUDE ONE CS UP TO 84" WIDE AND TWO FOR 96" WIDE UNITS.

OPTIONAL FOOTPLATE ASSEMBLY

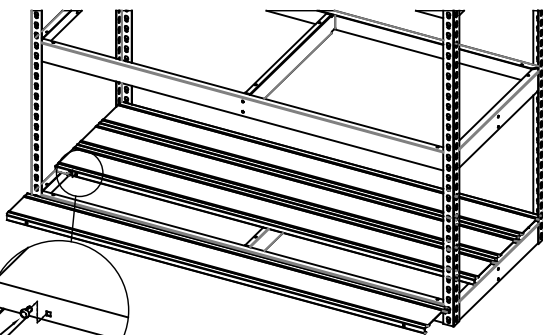


END OF ROW ATTACHMENT



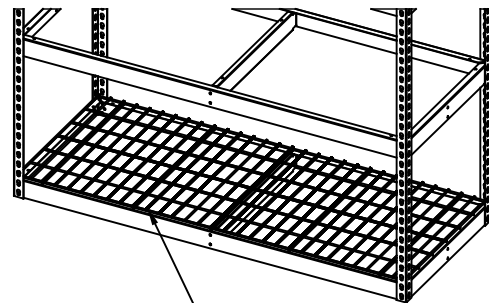
INTERMEDIATE ATTACHMENT

EZ DECKING AND WIRE DECKING ASSEMBLY



CS002  
ATTACH ADJACENT PLANKS WITH  
CS002 PLASTIC PUSH IN BUTTON  
BY INSERTING BUTTON INTO  
SQUARE HOLES AT BOTH ENDS.

SECURELY ATTACH TWO PIECE WIRE  
DECKING (WIDTHS GREATER THAN 60")  
AT CENTER WITH ZIP TIES (BY OTHERS).



P/N HWDwwdd  
WIRE DECKING

