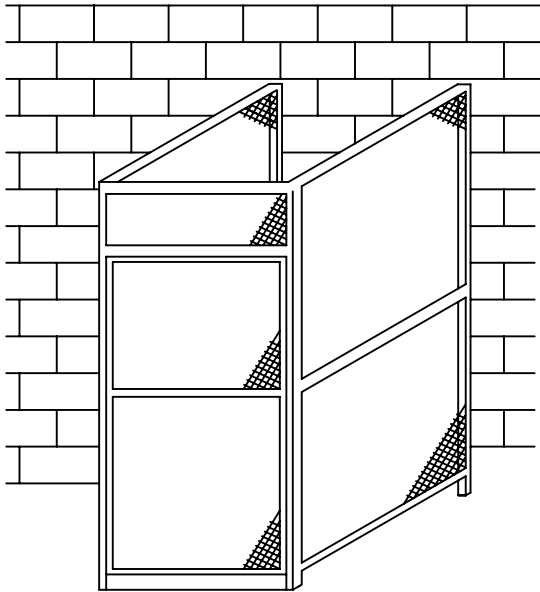
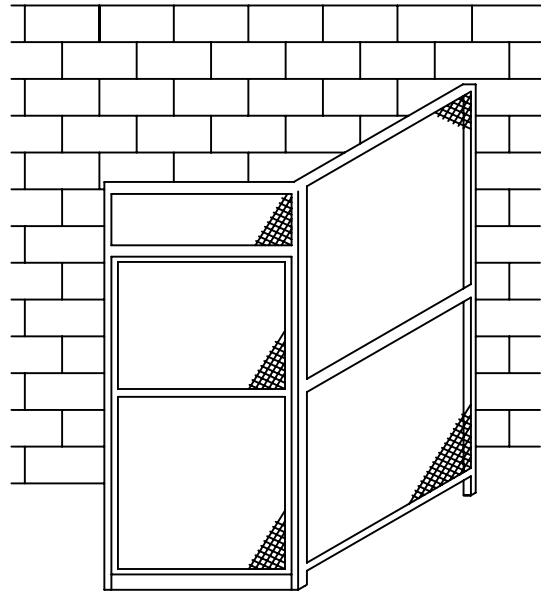


# BULK STORAGE LOCKER FREESTANDING ASSEMBLY INSTRUCTIONS



SINGLE TIER  
SINGLE ROW  
STARTER UNIT



SINGLE TIER  
SINGLE ROW  
ADD-ON UNIT

## General Instructions

1. Check material received against the packing list. First check the number of packages received and then check the contents of each package.
2. Check material received for damage. If damage has occurred, secure a "damage notation" from the carrier.
3. Identify each part as it is unpacked and put like parts together as close as possible to the working area in which they are to be assembled.
4. Be careful to use the correct hardware as specified in the assembly instructions.
5. Items with suffix (xx) are available options.

## CAUTION

IN THE INTEREST OF SAFETY, ALL LOCKERS MUST BE SECURELY ANCHORED TO THE FLOOR AND/OR WALL.  
FOR SAFETY, HANDLE ALL COMPONENTS CAREFULLY AND WEAR WORK-GLOVES WHEN ASSEMBLING LOCKERS.  
INSTALL ALL UNITS PLUMB AND TIGHTEN ALL HARDWARE SECURELY.  
RETAIN INSTRUCTIONS FOR FUTURE REFERENCE.



401 Jim Moran Blvd  
Deerfield Beach, FL 33442

Phone (954) 429-9155  
Fax (954) 428-3843

[www.ListIndustries.com](http://www.ListIndustries.com)

# BULK STORAGE LOCKER FREESTANDING ASSEMBLY INSTRUCTIONS 1-TIER

## PACKAGE CONTENTS

REF. NO.	DESCRIPTION	PART NO.	1-WIDE QUANTITY			
			36"dd	48"dd	60"dd	
①	DOOR & FRAME 1-TIER	440wwhhr	1			
②	RIGHT DIVIDER W/CHANNEL	420ddhhe	1			
③	LEFT DIVIDER W/CHANNEL	420ddhhe	1			
xx④	BACK (SB FOR SOLID BACK)	497wwhh	1			
xx⑤	TOP	480wwdd	1			
xx⑥	SHELVES OR BOTTOMS	230ww	3	4	5	
xx⑦	TOP SUPPORT ANGLE	281	2			
xx⑧	REPAIR ANGLE	20100	1			
⑨	HEX NUT	N107	12			
⑩	EXT. TOOTH LOCK WASHER	W109	12			
⑪	1/4"-20 x 3/4" SCREW	MS101	12			
⑫	FASTENER PAD	W110	6			
⑬	NUMBER TAG	NP-BSL	1			

### PART NO. LEGEND:

dd = DEPTH  
ww = WIDTH

hh = HEIGHT  
r = RIGHT HAND

### NOTE:

- xx SHELVES OR BOTTOMS ARE OPTIONAL.
- xx BACKS ARE OPTIONAL - CUSTOMER TO SPECIFY "SB" FOR SOLID BACK, EXPANDED METAL IS STANDARD.
- xx BACKS ARE OPTIONAL - INCLUDES TWELVE (12) HEX NUTS (⑨), TWELVE (12) LOCK WASHERS (⑩) AND TWELVE (12) SCREWS (⑪).
- xx TOPS ARE OPTIONAL - INCLUDES SIX (6) HEX NUTS (⑨), SIX (6) LOCK WASHERS (⑩), SIX (6) SCREWS (⑪) AND FOUR (4) PADS (⑫).
- xx REPAIR ANGLES ARE OPTIONAL - INCLUDES TWO (2) HEX NUTS (⑨), TWO (2) LOCK WASHERS (⑩), TWO (2) SCREWS (⑪) & TWO (2) PADS (⑫).

LIST MAKES EVERY EFFORT TO ENSURE THAT ALL UNITS SHIP COMPLETE; HOWEVER, SHOULD YOUR UNIT CONTAIN MISSING OR DAMAGED PARTS, REPLACEMENTS MAY BE OBTAINED FROM LIST. TO OBTAIN PARTS, FOLLOW THESE INSTRUCTIONS.

### PLEASE PROVIDE THE FOLLOW INFORMATION:

MODEL NUMBER

PURCHASE DATE

DESCRIPTION OF PART(S) NEEDED & PART NUMBER(S) AS SHOWN IN PARTS LIST

COMPANY NAME & CONTACT PERSON

COLOR

WHERE THE PRODUCT WAS PURCHASED FROM

IF REQUESTING PARTS BY TELEPHONE, ASK FOR CUSTOMER SERVICE & PROVIDE THE ABOVE INFORMATION.

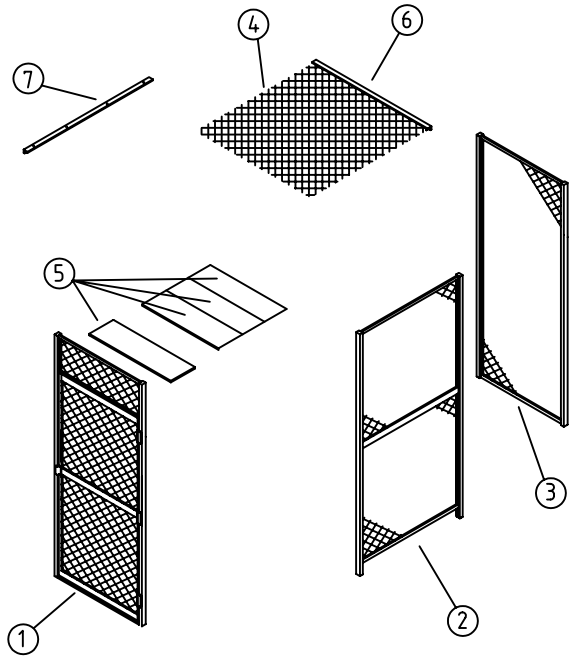
## TWO-YEAR WARRANTY

LIST INDUSTRIES BULK STORAGE LOCKERS ARE COVERED AGAINST ALL DEFECTS IN MATERIALS AND WORKMANSHIP EXCLUDING FINISH, DAMAGE RESULTING FROM DELIBERATE DESTRUCTION AND VANDALISM FOR A PERIOD OF TWO YEARS.



# BULK STORAGE LOCKER ADD-ON UNIT ASSEMBLY INSTRUCTIONS 1-TIER

## PACKAGE CONTENTS

REF. NO.	DESCRIPTION	PART NO.	1-WIDE QUANTITY			
			36"dd	48"dd	60"dd	
①	DOOR & FRAME 1-TIER	440wwhhr	1			 <p style="text-align: center;"><b>PART NO. LEGEND:</b> dd = DEPTH      hh = HEIGHT ww = WIDTH      r = RIGHT HAND</p>
②	RIGHT DIVIDER W/CHANNEL	420ddhhe	1			
xx③	BACK (SB FOR SOLID BACK)	497wwhh	1			
xx④	TOP	480wwdd	1			
xx⑤	SHELVES OR BOTTOMS	230ww	3	4	5	
xx⑥	TOP SUPPORT ANGLE	281	2			
xxx⑦	REPAIR ANGLE	20100	1			
⑧	HEX NUT	N107	8			
⑨	EXT. TOOTH LOCK WASHER	W109	8			
⑩	1/4"-20 x 3/4" SCREW	MS101	8			
⑪	FASTENER PAD	W110	6			
⑫	NUMBER TAG	NP-BSL	1			

### NOTE:

- xx SHELVES OR BOTTOMS ARE OPTIONAL.
- xx BACKS ARE OPTIONAL - CUSTOMER TO SPECIFY "SB" FOR SOLID BACK, EXPANDED METAL IS STANDARD.
- xx BACKS ARE OPTIONAL - INCLUDES TWELVE (12) HEX NUTS (⑧), TWELVE (12) LOCK WASHERS (⑨) AND TWELVE (12) SCREWS (⑩).
- xx TOPS ARE OPTIONAL - INCLUDES SIX (6) HEX NUTS (⑧), SIX (6) LOCK WASHERS (⑨), SIX (6) SCREWS (⑩) AND FOUR (4) PADS (⑪).
- xx REPAIR ANGLES ARE OPTIONAL - INCLUDES TWO (2) HEX NUTS (⑧), TWO (2) LOCK WASHERS (⑨), TWO (2) SCREWS (⑩) & TWO (2) PADS (⑪).

LIST INDUSTRIES MAKES EVERY EFFORT TO ENSURE THAT ALL UNITS SHIP COMPLETE; HOWEVER, SHOULD YOUR UNIT CONTAIN MISSING OR DAMAGED PARTS, REPLACEMENTS MAY BE OBTAINED FROM LIST INDUSTRIES. TO OBTAIN PARTS, FOLLOW THESE INSTRUCTIONS.

### PLEASE PROVIDE THE FOLLOW INFORMATION:

MODEL NUMBER	PURCHASE DATE
DESCRIPTION OF PART(S) NEEDED & PART NUMBER(S) AS SHOWN IN PARTS LIST	COMPANY NAME & CONTACT PERSON
COLOR	WHERE THE PRODUCT WAS PURCHASED FROM

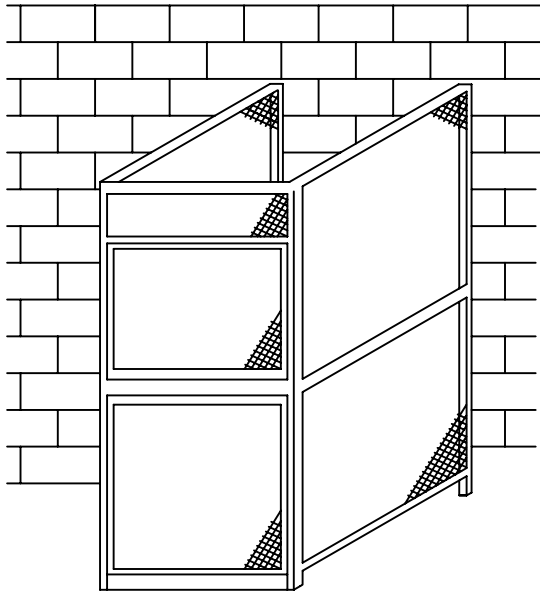
IF REQUESTING PARTS BY TELEPHONE, ASK FOR CUSTOMER SERVICE & PROVIDE THE ABOVE INFORMATION.

## TWO-YEAR WARRANTY

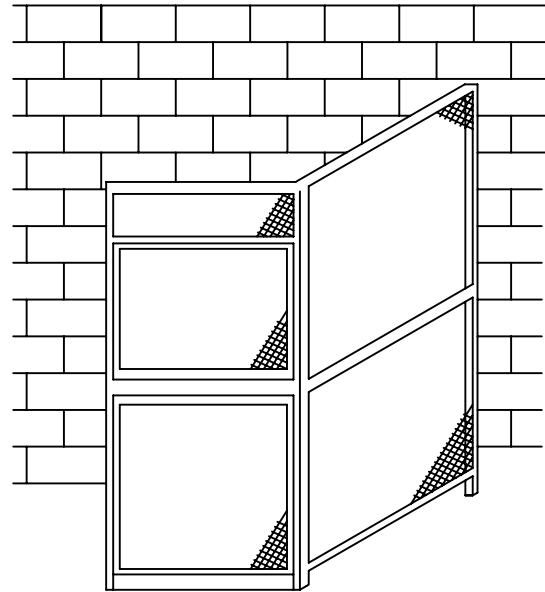
LIST INDUSTRIES BULK STORAGE LOCKERS ARE COVERED AGAINST ALL DEFECTS IN MATERIALS AND WORKMANSHIP EXCLUDING FINISH, DAMAGE RESULTING FROM DELIBERATE DESTRUCTION AND VANDALISM FOR A PERIOD OF TWO YEARS.



# BULK STORAGE LOCKER FREESTANDING ASSEMBLY INSTRUCTIONS



2-TIER  
SINGLE ROW  
STARTER UNIT



2-TIER  
SINGLE ROW  
ADD-ON UNIT

## General Instructions

1. Check material received against the packing list. First check the number of packages received and then check the contents of each package.
2. Check material received for damage. If damage has occurred, secure a "damage notation" from the carrier.
3. Identify each part as it is unpacked and put like parts together as close as possible to the working area in which they are to be assembled.
4. Be careful to use the correct hardware as specified in the assembly instructions.
5. Items with suffix (xx) are available options.

## CAUTION

IN THE INTEREST OF SAFETY, ALL LOCKERS MUST BE SECURELY ANCHORED TO THE FLOOR AND/OR WALL.  
FOR SAFETY, HANDLE ALL COMPONENTS CAREFULLY AND WEAR WORK-GLOVES WHEN ASSEMBLING LOCKERS.

INSTALL ALL UNITS PLUMB AND TIGHTEN ALL HARDWARE SECURELY.

RETAIN INSTRUCTIONS FOR FUTURE REFERENCE.



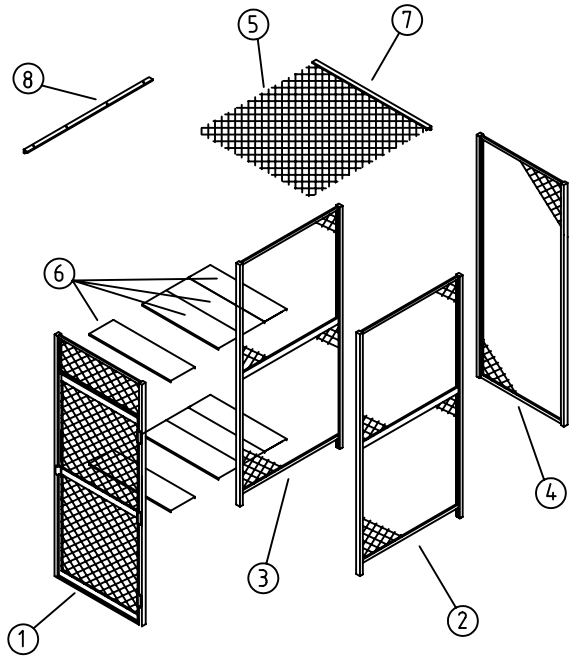
401 Jim Moran Blvd  
Deerfield Beach, FL 33442

Phone (954) 429-9155  
Fax (954) 428-3843

[www.ListIndustries.com](http://www.ListIndustries.com)

# BULK STORAGE LOCKER FREESTANDING ASSEMBLY INSTRUCTIONS 2-TIER

## PACKAGE CONTENTS

REF. NO.	DESCRIPTION	PART NO.	1-WIDE QUANTITY			
			36"dd	48"dd	60"dd	
①	DOOR & FRAME 2-TIER	450wwhhr	1			
②	RIGHT DIVIDER W/CHANNEL	410ddhhe	1			
③	LEFT DIVIDER W/CHANNEL	410ddhhe	1			
xx④	BACK (SB FOR SOLID BACK)	497wwhh	1			
xx⑤	TOP	480wwdd	1			
xx⑥	SHELVES OR BOTTOMS	230ww	6	8	10	
xx⑦	TOP SUPPORT ANGLE	281	2			
xx⑧	REPAIR ANGLE	20100	1			
⑨	HEX NUT	N107	12			
⑩	EXT. TOOTH LOCK WASHER	W109	12			
⑪	1/4"-20 x 3/4" SCREW	MS101	12			
⑫	FASTENER PAD	W110	6			
⑬	NUMBER TAG	NP-BSL				

### PART NO. LEGEND:

dd = DEPTH                      hh = HEIGHT  
ww = WIDTH                    r = RIGHT HAND

### NOTE:

- xx BOTTOMS ARE OPTIONAL.
- xx BACKS ARE OPTIONAL - CUSTOMER TO SPECIFY "SB" FOR SOLID BACK, EXPANDED METAL IS STANDARD.
- xx BACKS ARE OPTIONAL - INCLUDES TWELVE (12) HEX NUTS (⑨), TWELVE (12) LOCK WASHERS (⑩) AND TWELVE (12) SCREWS (⑪).
- xx TOPS ARE OPTIONAL - INCLUDES SIX (6) HEX NUTS (⑨), SIX (6) LOCK WASHERS (⑩), SIX (6) SCREWS (⑪) AND FOUR (4) PADS (⑫).
- xx REPAIR ANGLES ARE OPTIONAL - INCLUDES TWO (2) HEX NUTS (⑨), TWO (2) LOCK WASHERS (⑩), TWO (2) SCREWS (⑪) & TWO (2) PADS (⑫).

LIST INDUSTRIES MAKES EVERY EFFORT TO ENSURE THAT ALL UNITS SHIP COMPLETE; HOWEVER, SHOULD YOUR UNIT CONTAIN MISSING OR DAMAGED PARTS, REPLACEMENTS MAY BE OBTAINED FROM LIST INDUSTRIES. TO OBTAIN PARTS, FOLLOW THESE INSTRUCTIONS.

## PLEASE PROVIDE THE FOLLOW INFORMATION:

MODEL NUMBER	PURCHASE DATE
DESCRIPTION OF PART(S) NEEDED & PART NUMBER(S) AS SHOWN IN PARTS LIST	COMPANY NAME & CONTACT PERSON
COLOR	WHERE THE PRODUCT WAS PURCHASED FROM

IF REQUESTING PARTS BY TELEPHONE, ASK FOR CUSTOMER SERVICE & PROVIDE THE ABOVE INFORMATION.

## TWO-YEAR WARRANTY

LIST INDUSTRIES BULK STORAGE LOCKERS ARE COVERED AGAINST ALL DEFECTS IN MATERIALS AND WORKMANSHIP EXCLUDING FINISH, DAMAGE RESULTING FROM DELIBERATE DESTRUCTION AND VANDALISM FOR A PERIOD OF TWO YEARS.



# BULK STORAGE LOCKER ADD-ON UNIT ASSEMBLY INSTRUCTIONS 2-TIER

## PACKAGE CONTENTS

REF. NO.	DESCRIPTION	PART NO.	1-WIDE QUANTITY			
			36"dd	48"dd	60"dd	
①	DOOR & FRAME 2-TIER	450wwhhr	1			
②	RIGHT DIVIDER W/CHANNEL	410ddhhe	1			
xx③	BACK (SB FOR SOLID BACK)	497wwhh	1			
xx④	TOP	480wwdd	1			
xx⑤	SHELVES OR BOTTOMS	230ww	6	8	10	
xx⑥	TOP SUPPORT ANGLE	281	2			
xx⑦	REPAIR ANGLE	20100	1			
⑧	HEX NUT	N107	12			
⑨	EXT. TOOTH LOCK WASHER	W109	12			
⑩	1/4"-20 x 3/4" SCREW	MS101	12			
⑪	FASTENER PAD	W110	6			
⑫	NUMBER TAG	NP-BSL	1			

### PART NO. LEGEND:

dd = DEPTH                      hh = HEIGHT  
ww = WIDTH                    r = RIGHT HAND

### NOTE:

- xx BOTTOMS ARE OPTIONAL.
- xx BACKS ARE OPTIONAL - CUSTOMER TO SPECIFY "SB" FOR SOLID BACK, EXPANDED METAL IS STANDARD.
- xx BACKS ARE OPTIONAL - INCLUDES TWELVE (12) HEX NUTS (⑧), TWELVE (12) LOCK WASHERS (⑨) AND TWELVE (12) SCREWS (⑩) .
- xx TOPS ARE OPTIONAL - INCLUDES SIX (6) HEX NUTS (⑧), SIX (6) LOCK WASHERS (⑨), SIX (6) SCREWS (⑩) AND FOUR (4) PADS (⑪) .
- xx REPAIR ANGLES ARE OPTIONAL - INCLUDES TWO (2) HEX NUTS (⑧), TWO (2) LOCK WASHERS (⑨), TWO (2) SCREWS (⑩) & TWO (2) PADS (⑪) .

LIST INDUSTRIES MAKES EVERY EFFORT TO ENSURE THAT ALL UNITS SHIP COMPLETE; HOWEVER, SHOULD YOUR UNIT CONTAIN MISSING OR DAMAGED PARTS, REPLACEMENTS MAY BE OBTAINED FROM LIST INDUSTRIES. TO OBTAIN PARTS, FOLLOW THESE INSTRUCTIONS.

## PLEASE PROVIDE THE FOLLOW INFORMATION:

MODEL NUMBER	PURCHASE DATE
DESCRIPTION OF PART(S) NEEDED & PART NUMBER(S) AS SHOWN IN PARTS LIST	COMPANY NAME & CONTACT PERSON
COLOR	WHERE THE PRODUCT WAS PURCHASED FROM

IF REQUESTING PARTS BY TELEPHONE, ASK FOR CUSTOMER SERVICE & PROVIDE THE ABOVE INFORMATION.

## TWO-YEAR WARRANTY

LIST INDUSTRIES BULK STORAGE LOCKERS ARE COVERED AGAINST ALL DEFECTS IN MATERIALS AND WORKMANSHIP EXCLUDING FINISH, DAMAGE RESULTING FROM DELIBERATE DESTRUCTION AND VANDALISM FOR A PERIOD OF TWO YEARS.

